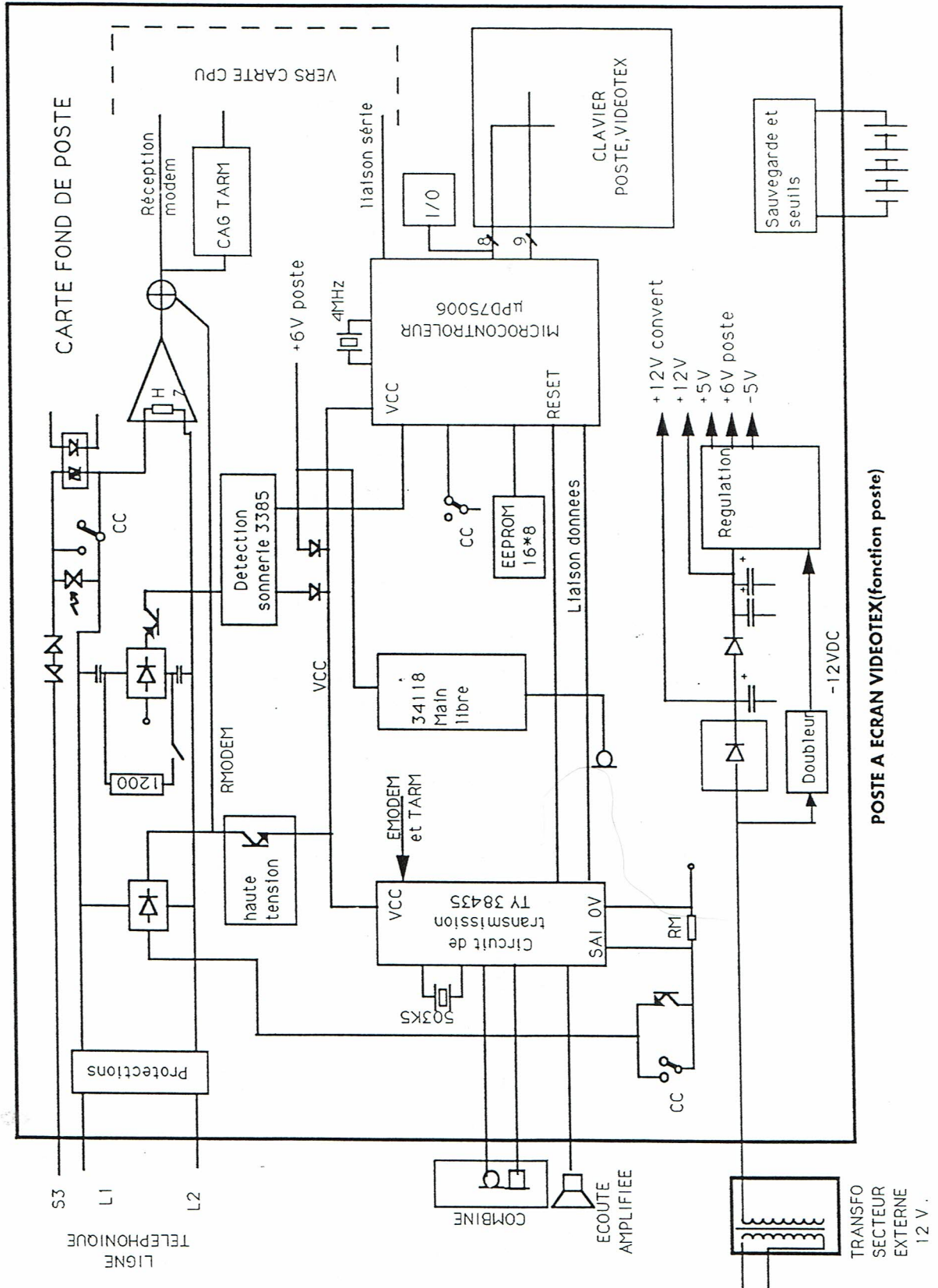
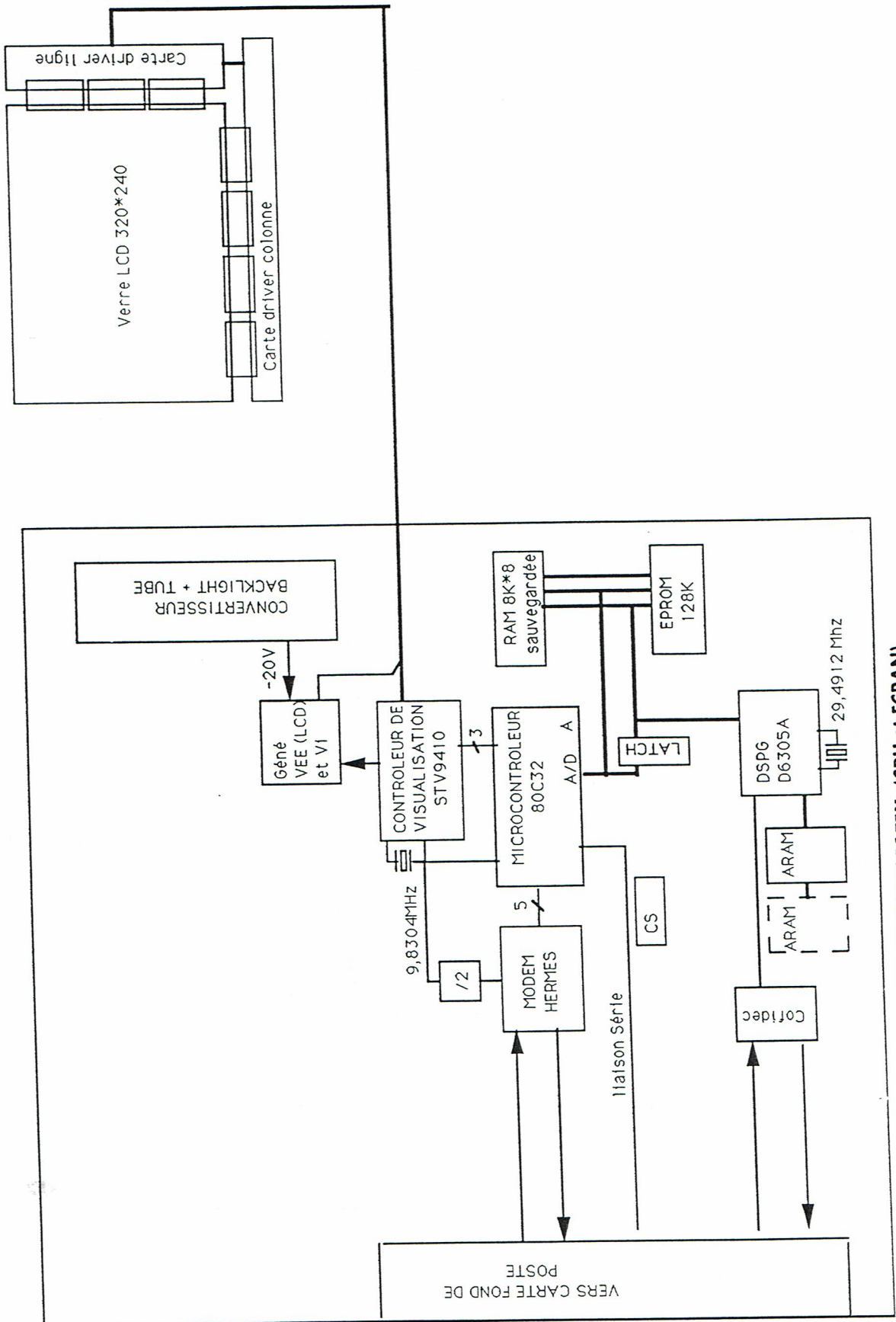


## 5. ARCHITECTURE INTERNE DU PEV

### 5.2. bloc diagrammes électroniques





POSTE A ECRAN VIDEOTEX (CPU et ECRAN)

TEL

	6	7	8
--	---	---	---

A

B

C

D

E

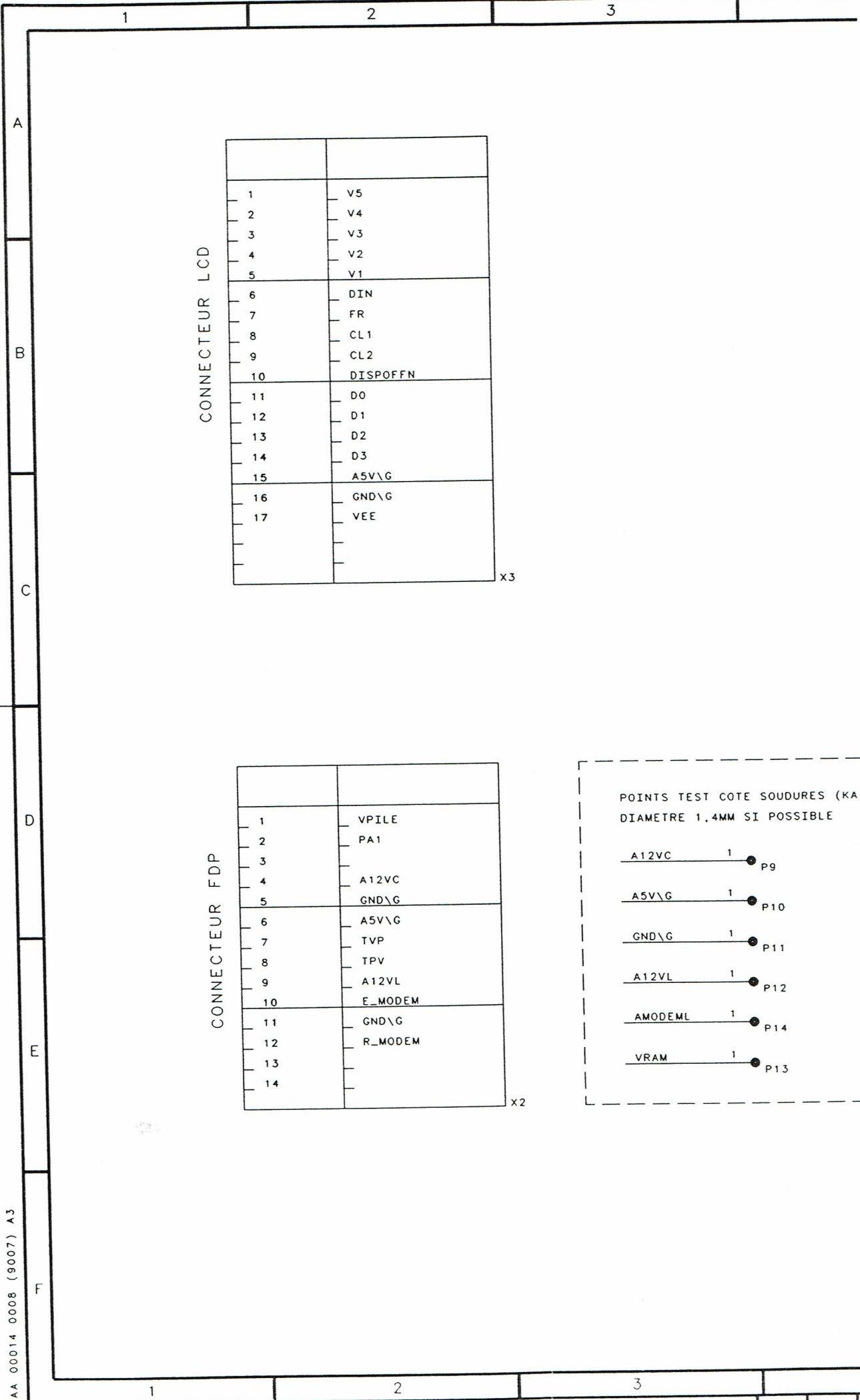
ED	DATE	1	24/10/95				
CHANGE NOTE							
APPRA. AUTHO.	J. C. SONNEFRAUD						
ORIGINATOR	Ph. MAYER						
ALCATEL BUSINESS SYSTEMS	CARTE MONTEE				SILLAGE 1000 CPU BOARD (SANS REPERTEUR)		
				3BN 63067 ACAB 1077A		1/6	

F

ACAA  
ACAA

	5	6	7	8
--	---	---	---	---

copying of this document, use and communication of its contents not permitted without written authorization.



CONNECTEUR LCD

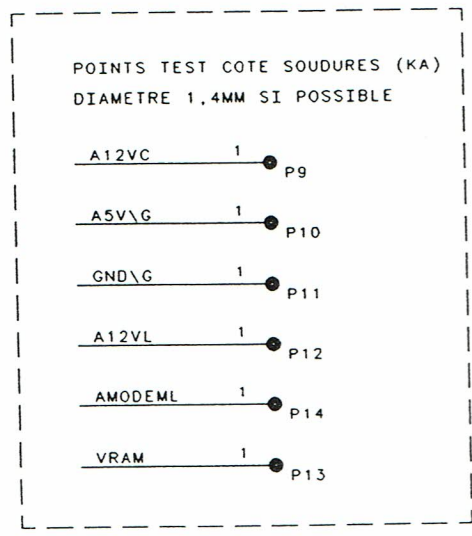
1	V5
2	V4
3	V3
4	V2
5	V1
6	DIN
7	FR
8	CL1
9	CL2
10	DISPOFFN
11	D0
12	D1
13	D2
14	D3
15	A5V\G
16	GND\G
17	VEE

x3

CONNECTEUR FDP

1	VPILE
2	PA1
3	
4	A12VC
5	GND\G
6	A5V\G
7	TVP
8	TPV
9	A12VL
10	E_MODEM
11	GND\G
12	R_MODEM
13	
14	

x2

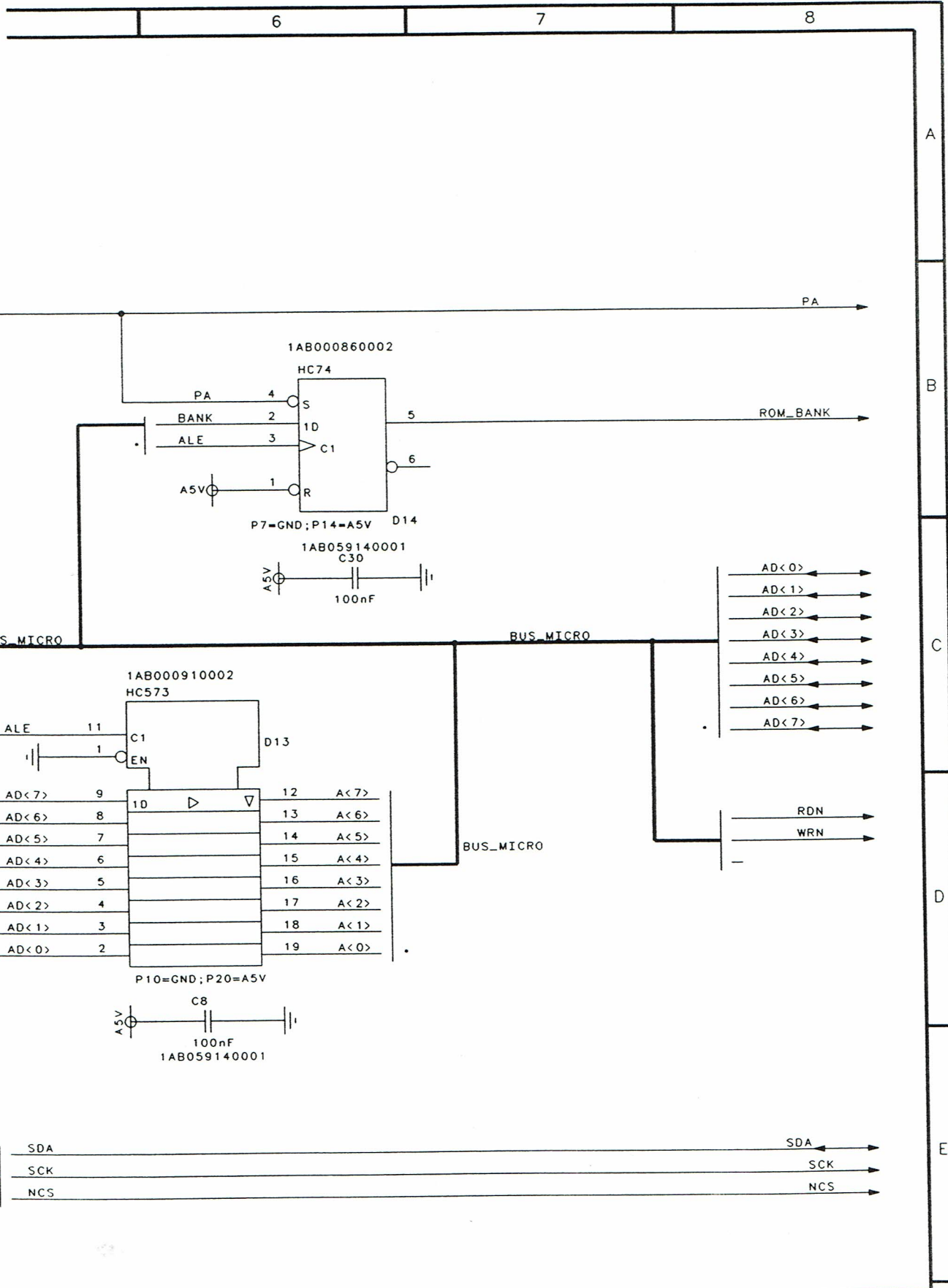


1AA 00014 0008 (9007) A3

TEL

8B

06940001



ED	DATE	1	24/10/95				
CHANGE NOTE							
APPRA. AUTHO.		J. C. SONNEFRAUD					
ORIGINATOR		Ph. MAYER					
ALCATEL BUSINESS SYSTEMS		CARTE MONTEE			SILLAGE 1000 - CPU BOARD		
				3BN 63067 ACAB FC/7A		2/6	

5

6

7

8

A

B

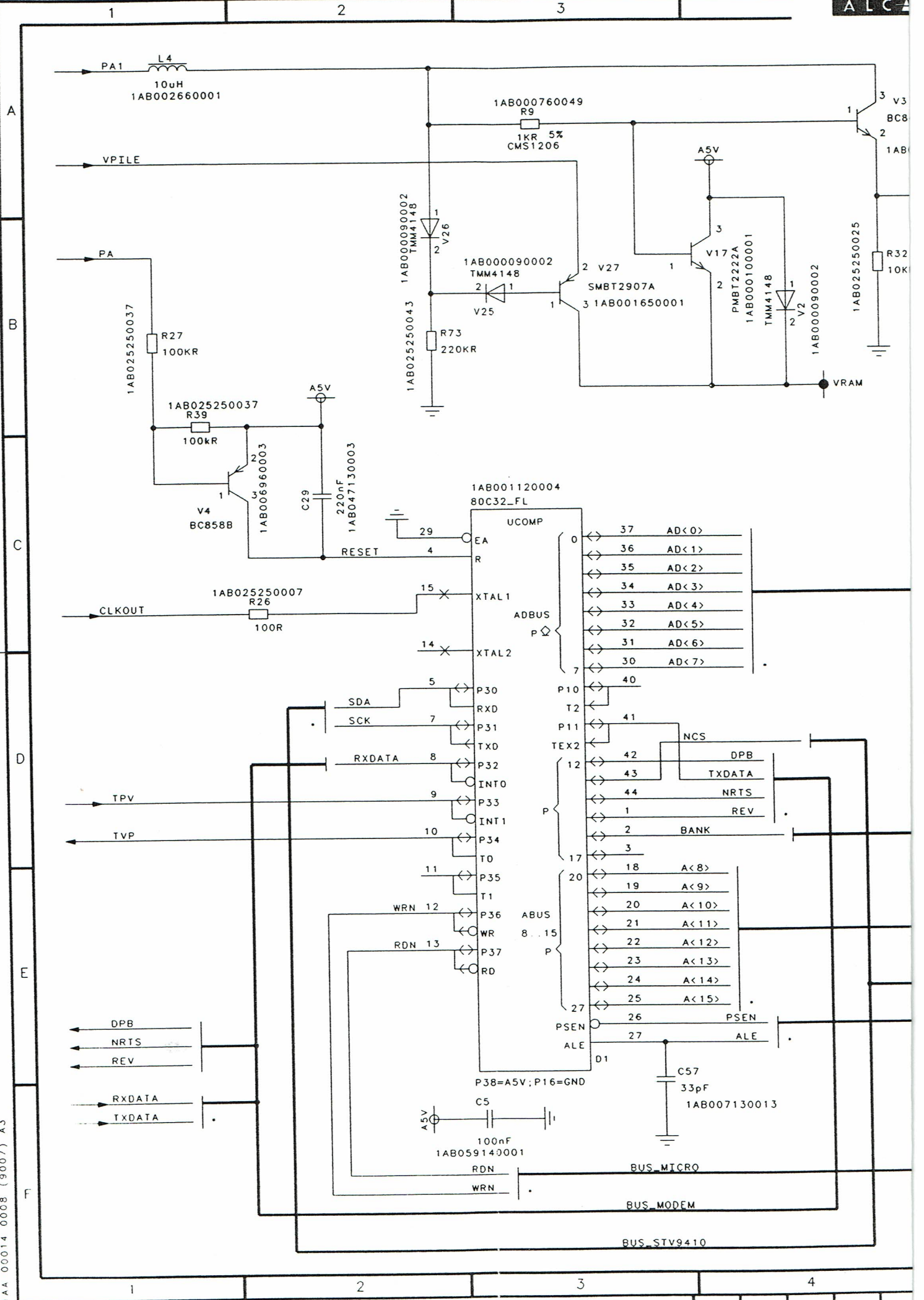
C

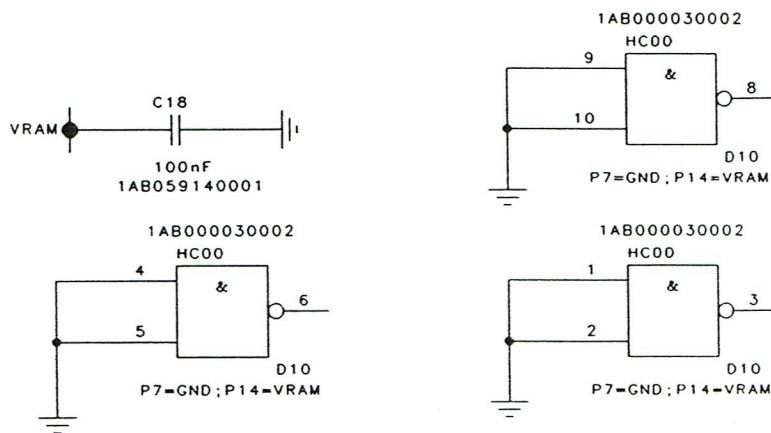
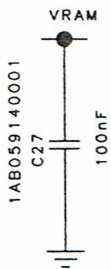
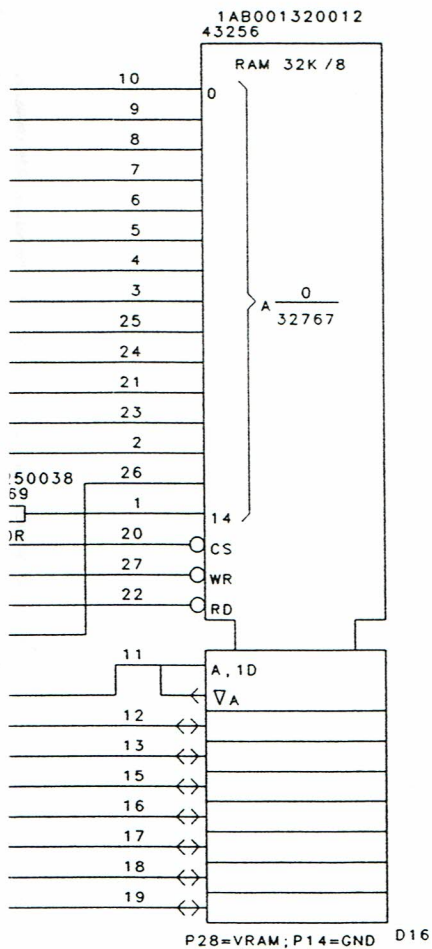
D

E

F

Communication of its contents is prohibited without written authorization.

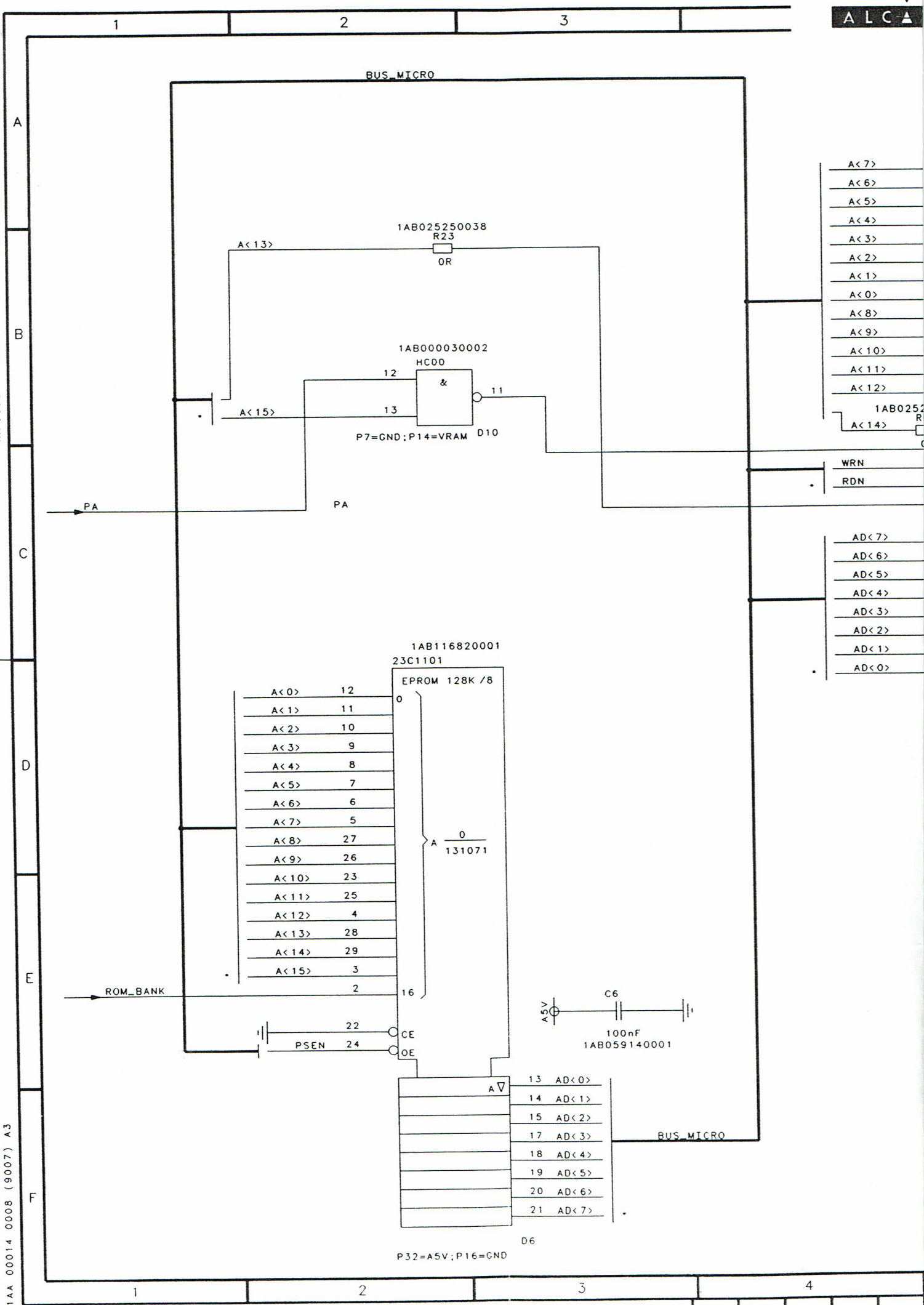




ED	DATE	1	24/10/95				
CHANGE NOTE							
APPRA. AUTHO.		J. C. SONNEFRAUD					
ORIGINATOR		Ph. MAYER					
ALCATEL BUSINESS SYSTEMS		CARTE MONTEE				SILLAGE 1000 - CPU BOARD	
				3BN 63067 ACAB I.C./A			3/6

mitted without written authorization.

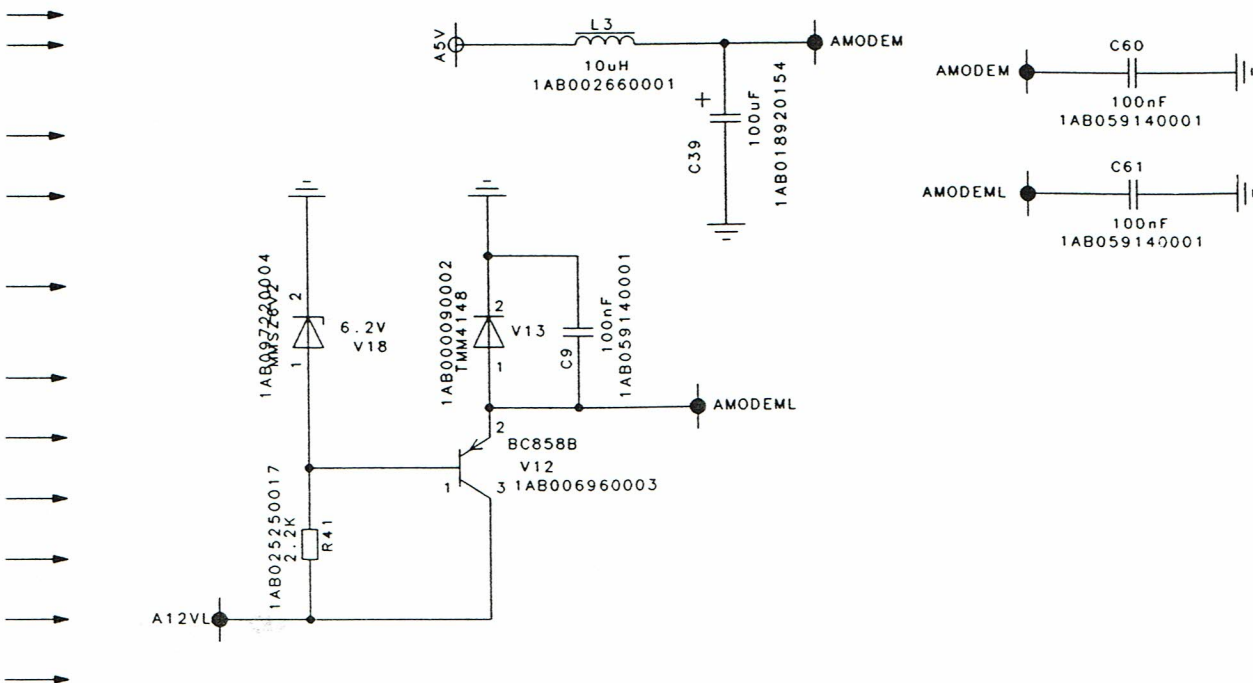
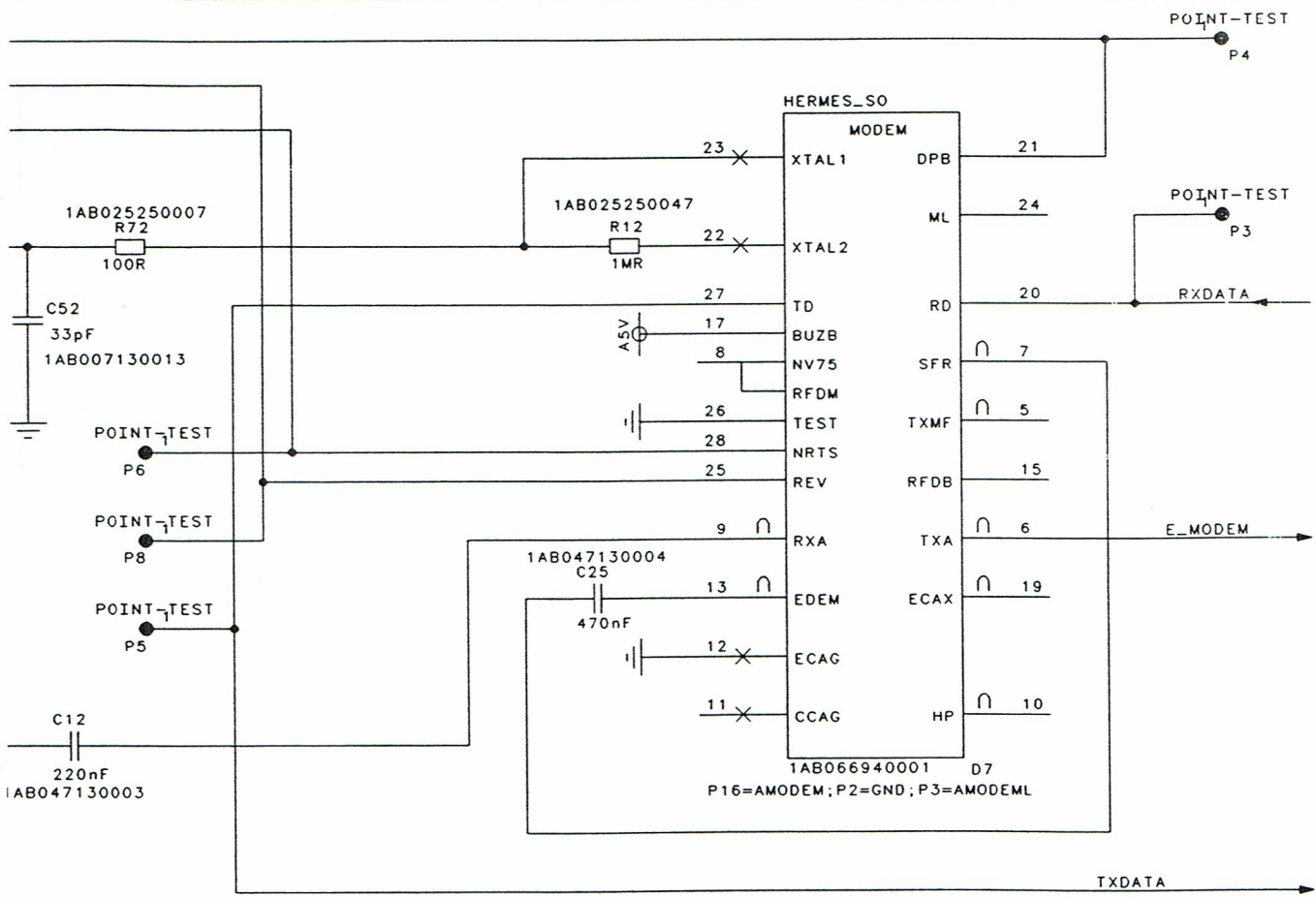
1AA 00014 0008 (9007) A3



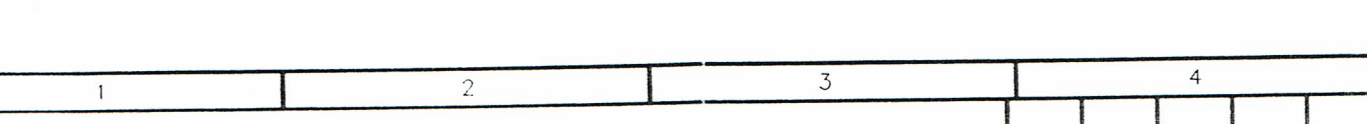
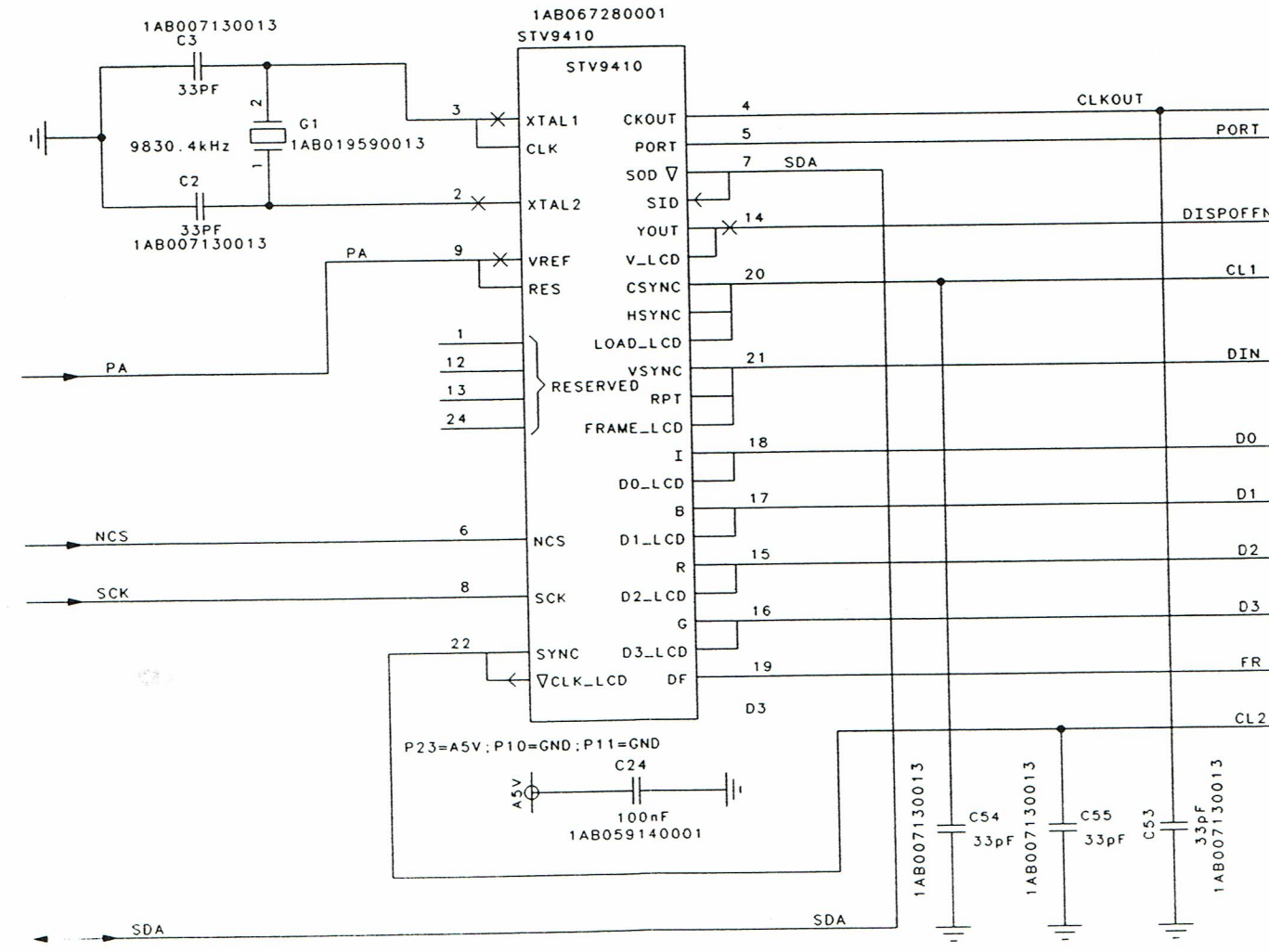
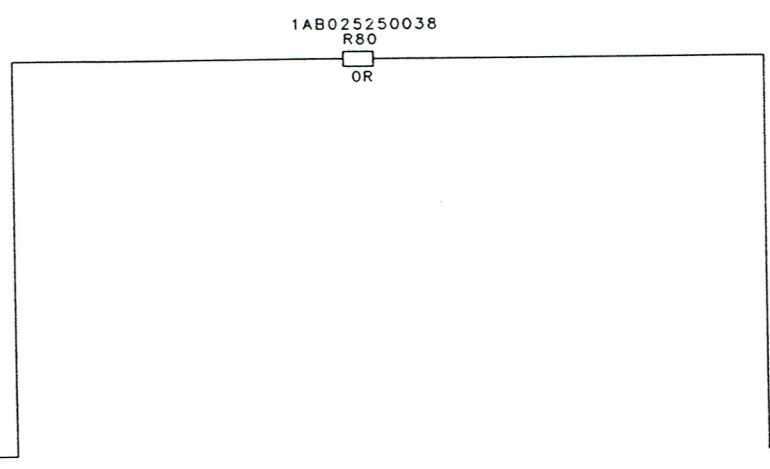
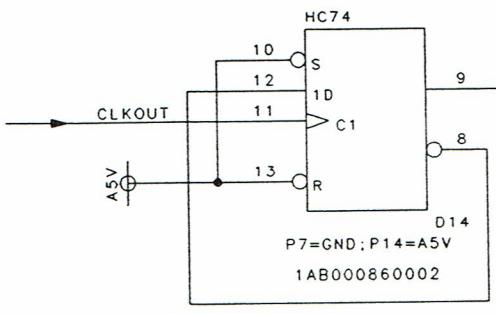
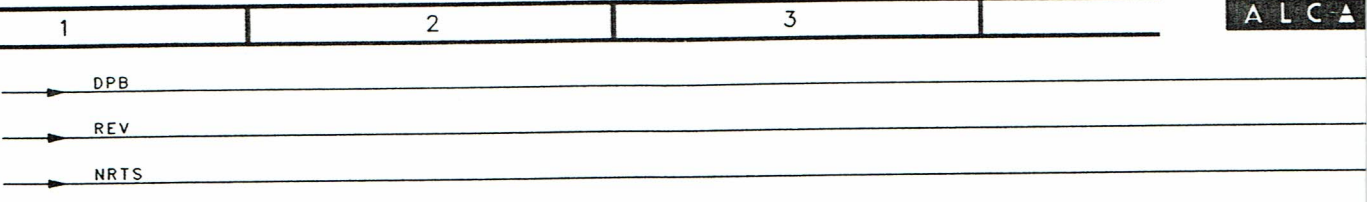
- A< 7>
- A< 6>
- A< 5>
- A< 4>
- A< 3>
- A< 2>
- A< 1>
- A< 0>
- A< 8>
- A< 9>
- A< 10>
- A< 11>
- A< 12>
- 1AB025250038 R23
- A< 14>
- WRN
- RDN
- AD< 7>
- AD< 6>
- AD< 5>
- AD< 4>
- AD< 3>
- AD< 2>
- AD< 1>
- AD< 0>

P32=A5V; P16=GND



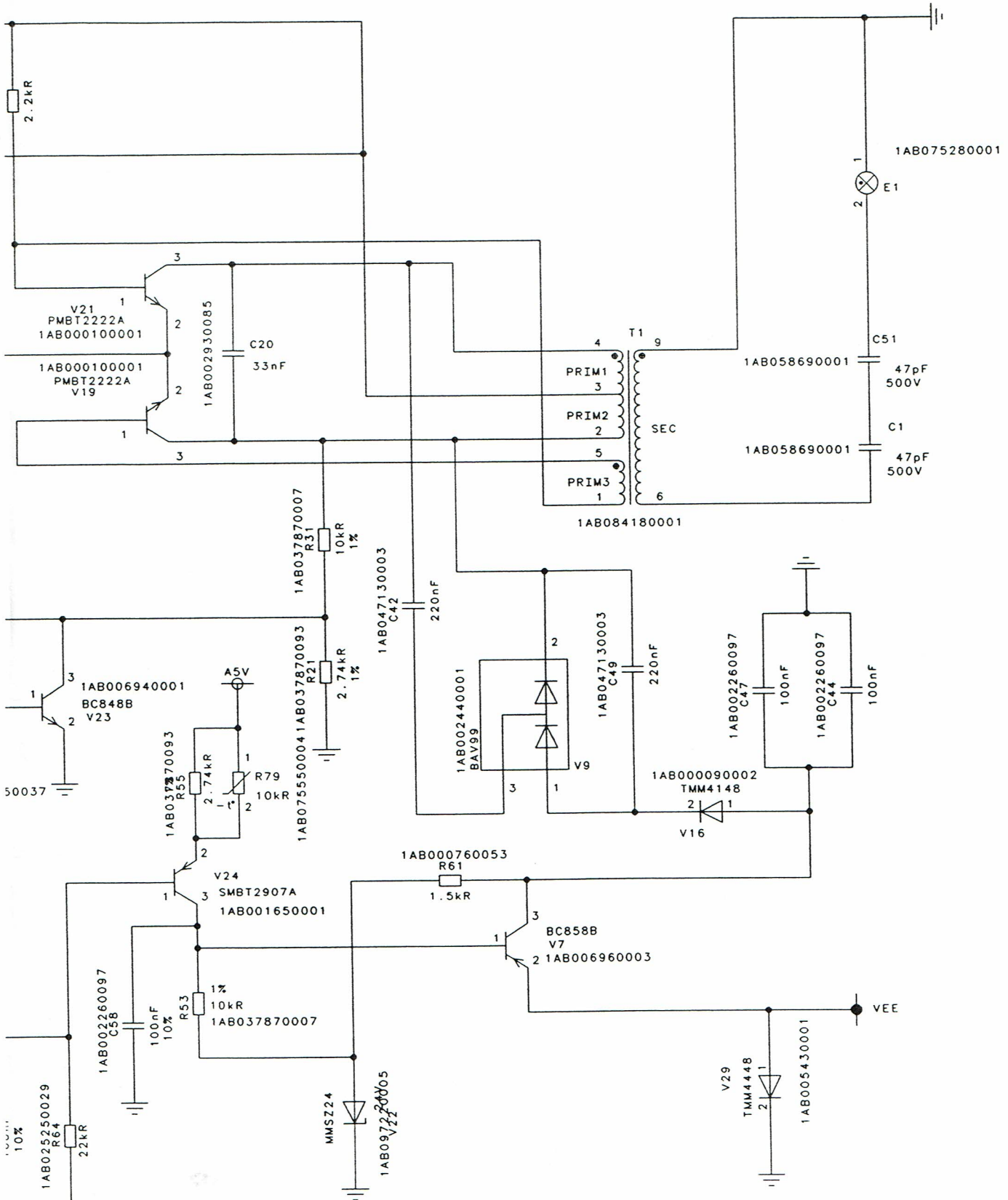


ED	DATE	1	24/10/95				
CHANGE NOTE							
APPRO. AUTHO.		J. C. SONNEFRAUD					
ORIGINATOR		Ph. MAYER					
ALCATEL BUSINESS SYSTEMS		CARTE MONTEE				SILLAGE 1000 - CPU BOARD	
						3BN 63067 ACAB 1000/A	
						4/6	



Communication of this document is prohibited without written authorization.

1AA 00014 0008 (9007) A3



A

B

C

D

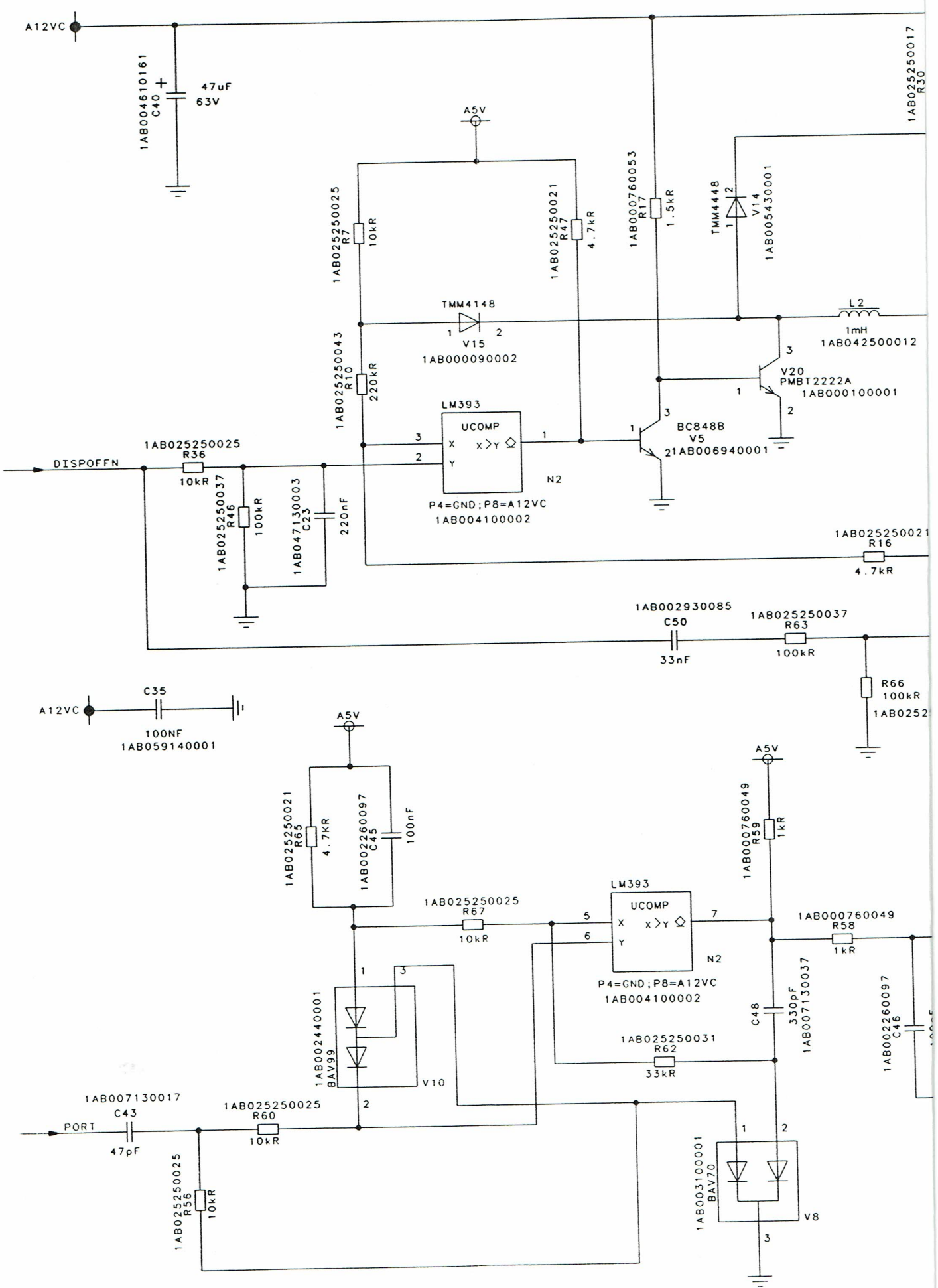
E

F

ED DATE	1	24/10/95			
CHANGE NOTE					
APPRO. AUTHO.	J. C. SONNEFRAUD				
ORIGINATOR	Ph. MAYER				
ALCATEL BUSINESS SYSTEMS	CARTE MONTEE		SILLAGE 1000 CPU BOARD		
			3BN 63067 ACAB EC//A		5/6

mitted without written authorization.

1AA 00014 0008 (9007) A3



TEL

6

7

8

A

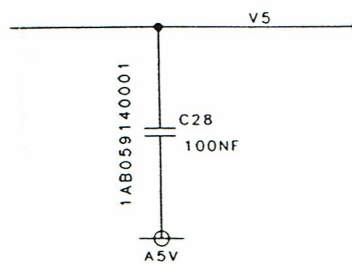
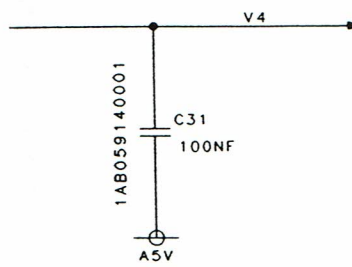
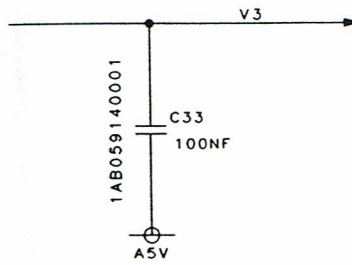
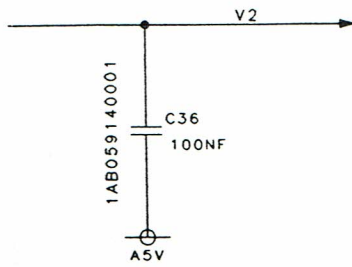
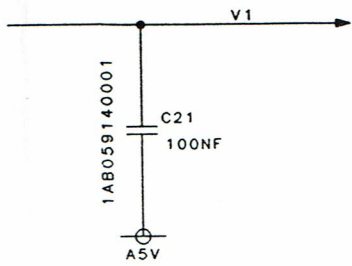
B

C

D

E

F



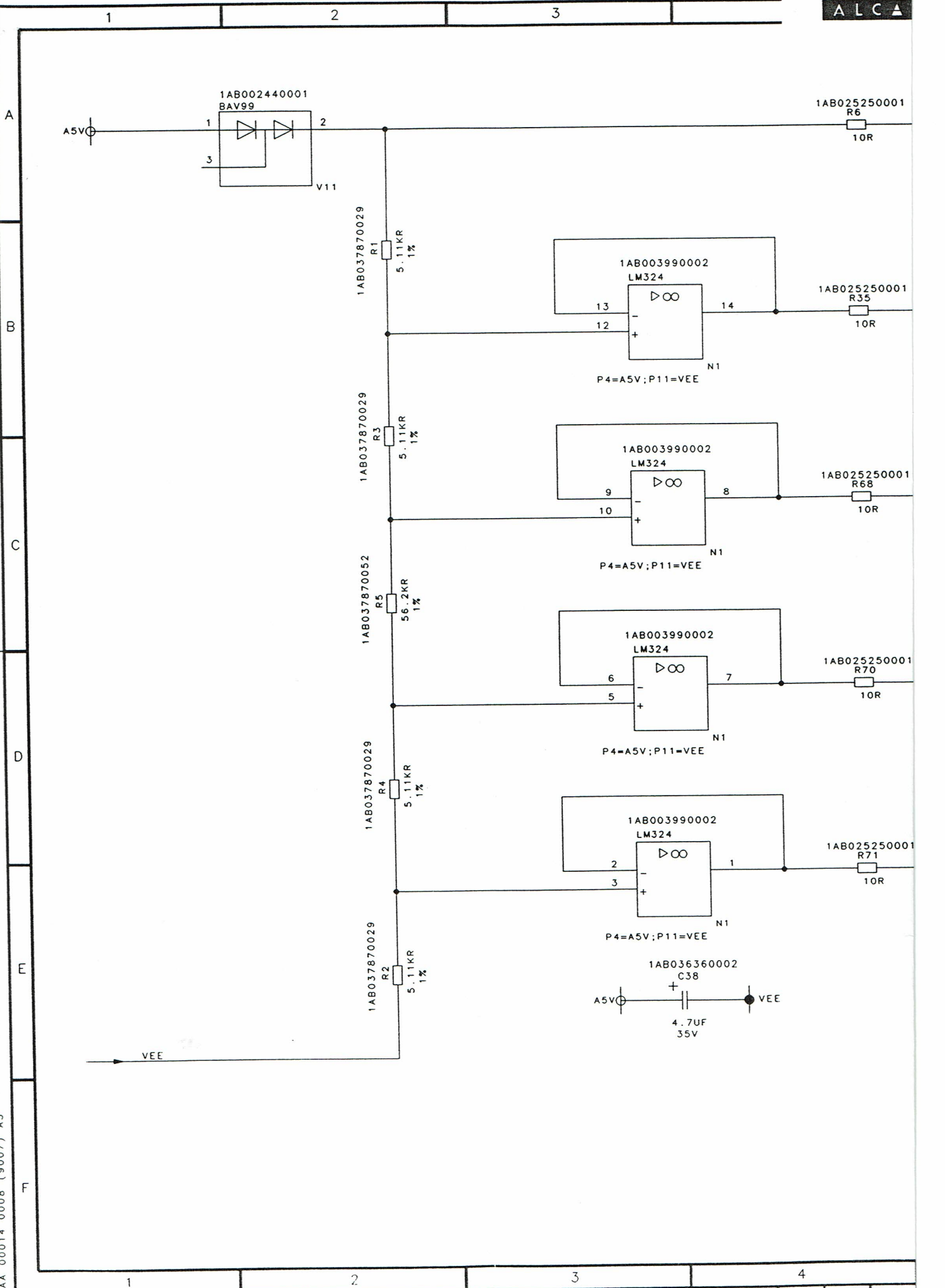
ED	DATE	1	24/10/95				
CHANGE NOTE							
APPRA. AUTHO.		J. C. SONNEFRAUD					
ORIGINATOR		Ph. MAYER					
ALCATEL BUSINESS SYSTEMS		CARTE MONTEE				SILLAGE 1000 - CPU BOARD	
				3BN 63067 ACAB 10/7/A		6/6	

5

6

7

8



1AA 00014 0008 (9007) A3

TEL

6

7

8

A

B

C

D

E

F

ED	DATE	1	24/10/95				
CHANGE NOTE							
APPRA. AUTHO.		J. C. SONNEFRAUD					
ORIGINATOR		Ph. MAYER					
ALCATEL BUSINESS SYSTEMS		CARTE MONTEE				PEV - CPU BOARD SILLAGE 2000 (AVEZ REPONDER)	
				3BN 63067 ADAB EC/7A		1-8	

\_AAAA  
\_AAAA

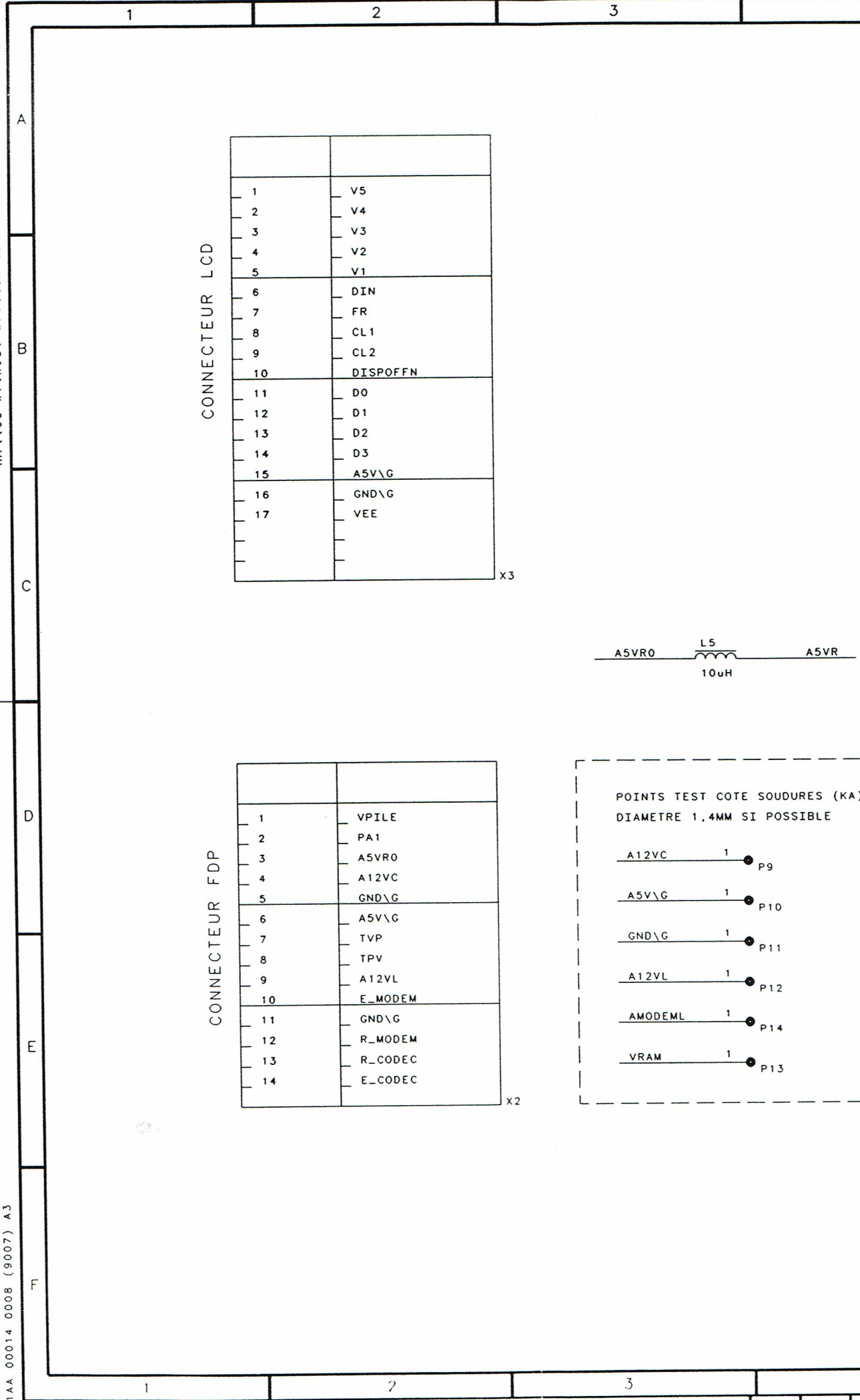
5

6

7

8

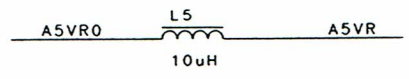
copying of this document, use and communication of its contents not permitted without written authorization.



CONNECTEUR LCD

1	V5
2	V4
3	V3
4	V2
5	V1
6	DIN
7	FR
8	CL1
9	CL2
10	DISPOFFN
11	D0
12	D1
13	D2
14	D3
15	A5V\G
16	GND\G
17	VEE

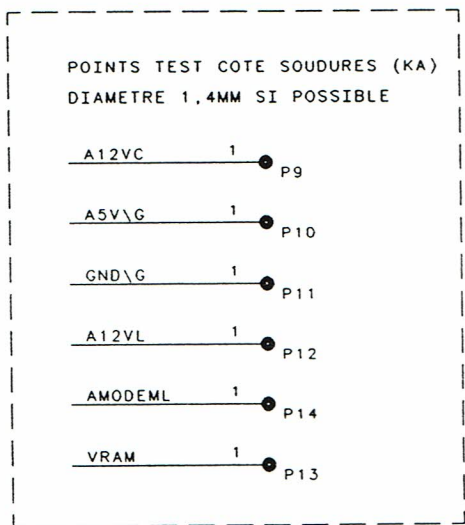
x3



CONNECTEUR FDP

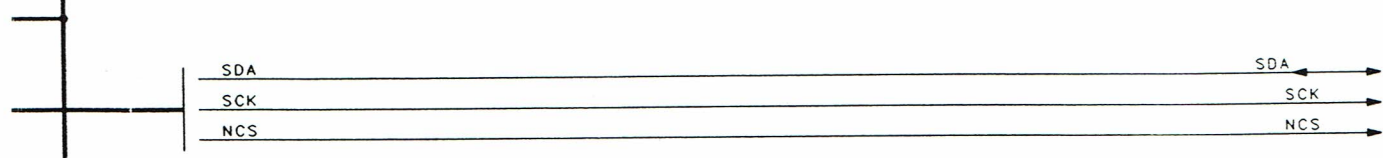
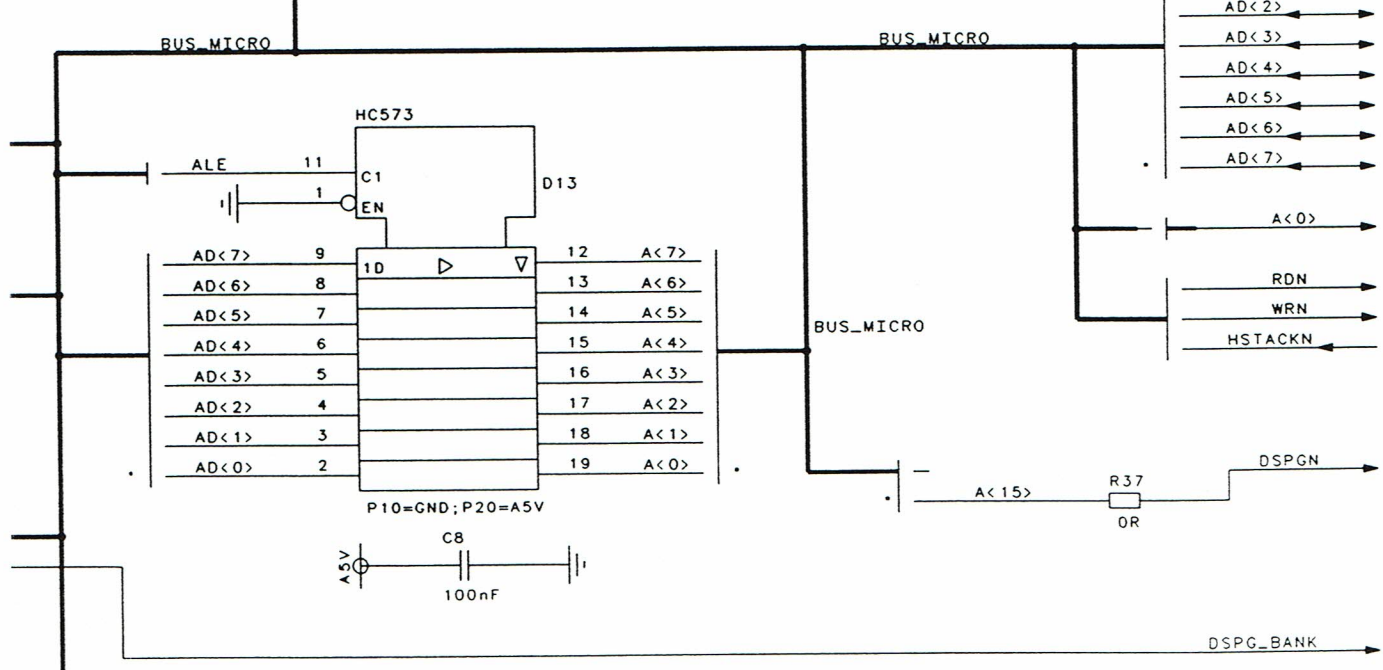
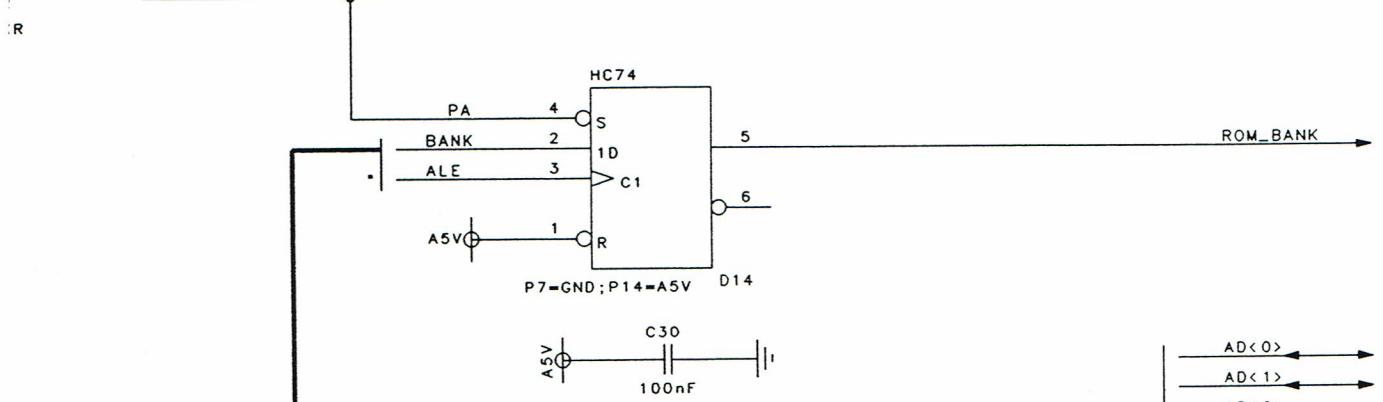
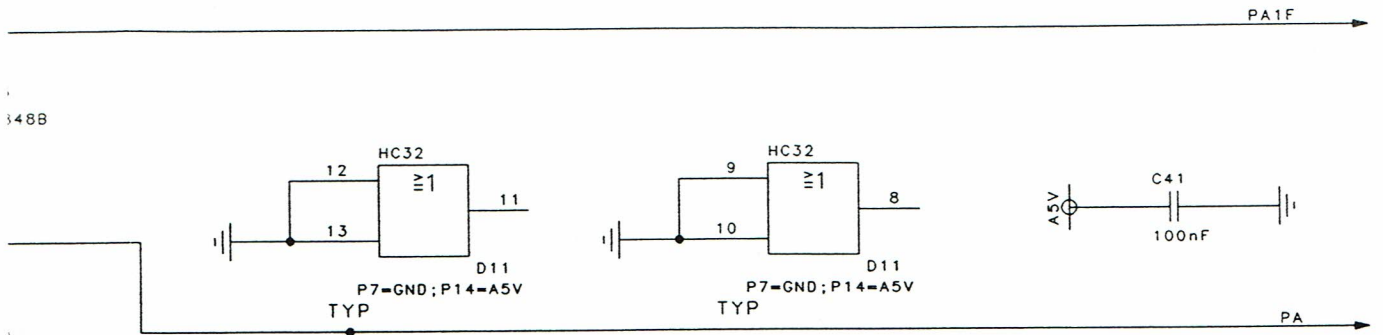
1	VPILE
2	PA1
3	A5VR0
4	A12VC
5	GND\G
6	A5V\G
7	TVP
8	TPV
9	A12VL
10	E_MODEM
11	GND\G
12	R_MODEM
13	R_CODEC
14	E_CODEC

x2



1AA 00014 0008 (9007) A3

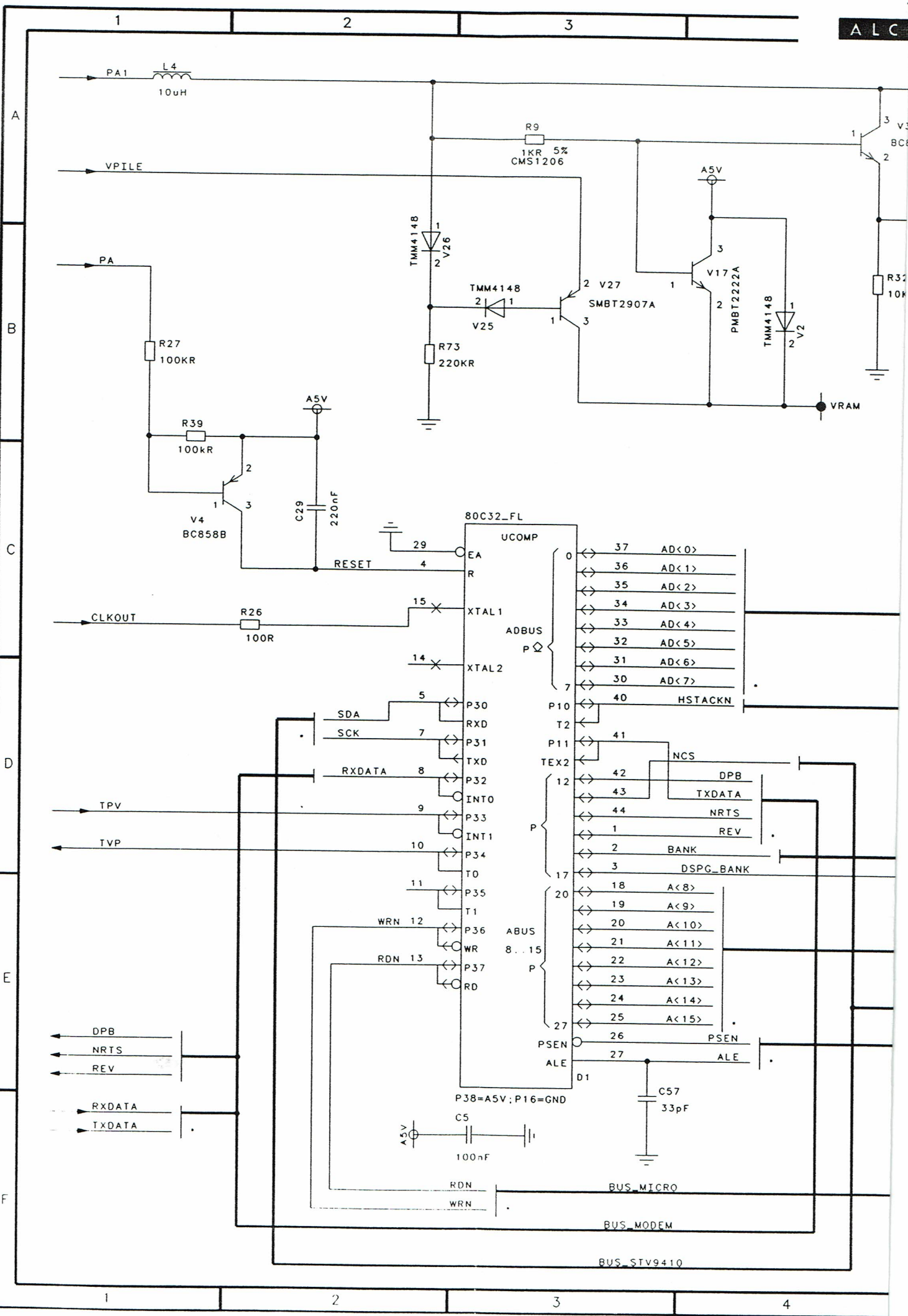




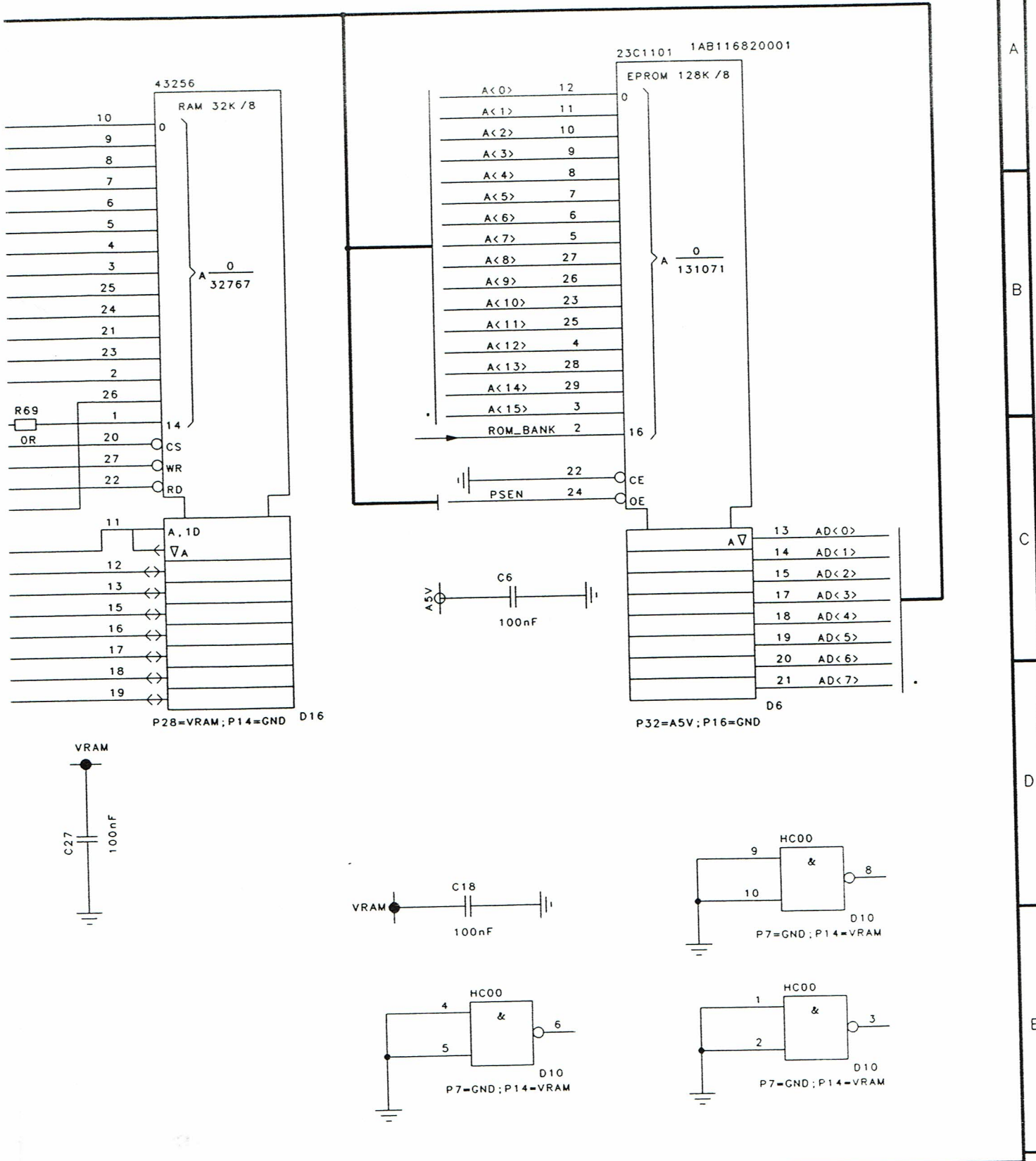
ED	DATE	1	24/10/95			
CHANGE NOTE						
APPRO. AUTHO. J. C. SONNEFRAUD						
ORIGINATOR Ph. MAYER						
ALCATEL BUSINESS SYSTEMS		CARTE MONTEE			PEV - CPU BOARD	
					3BN 63067 ADAB 1000A	2/8

communication of its contents not permitted without written authorization.

ALC

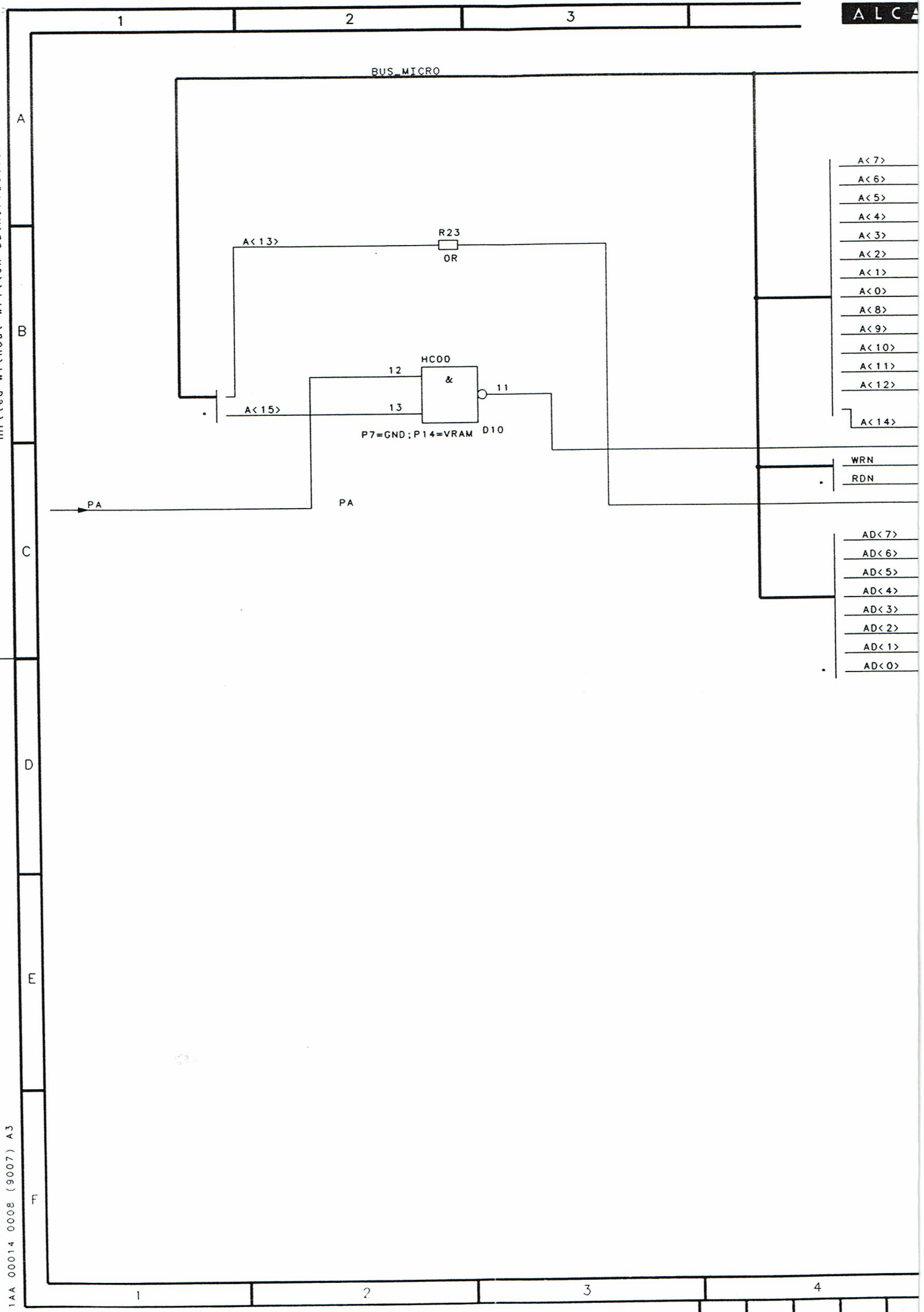


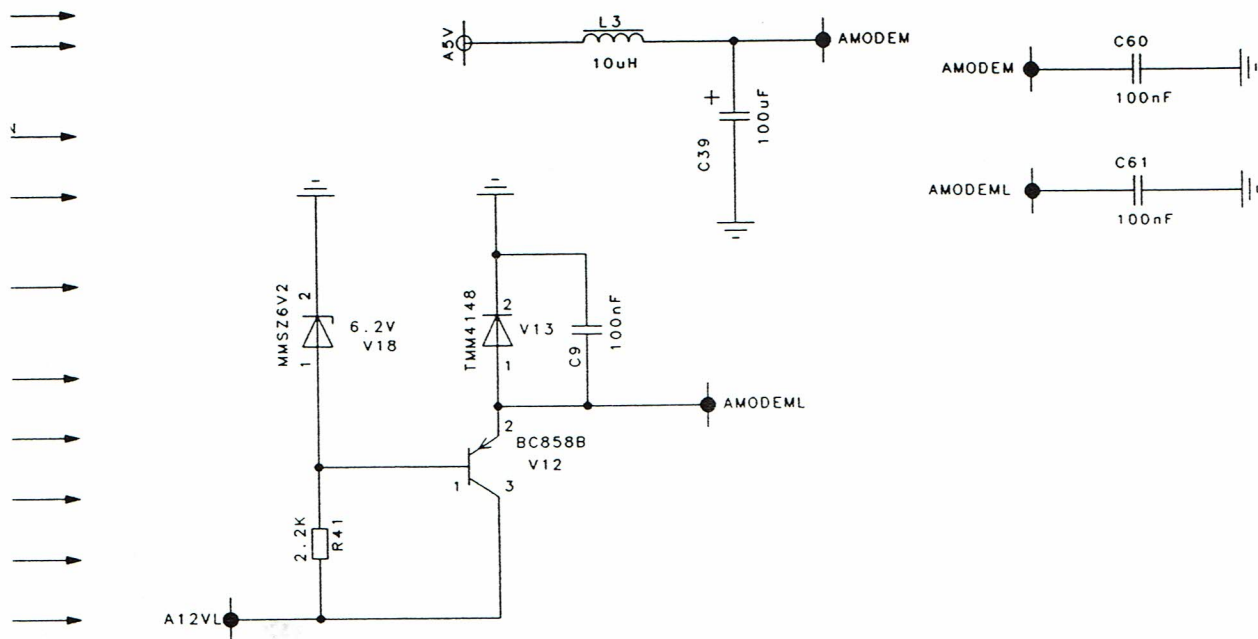
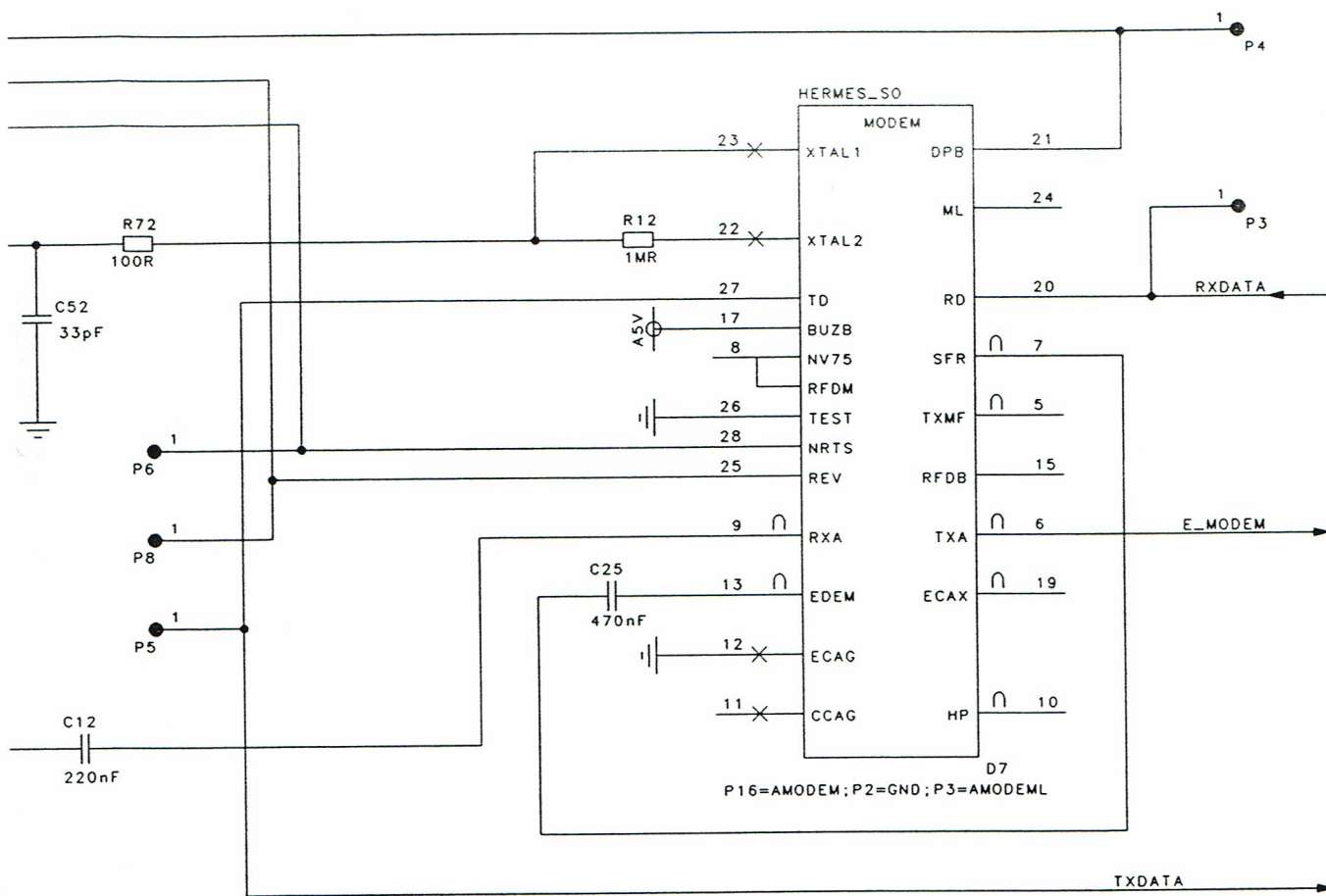
1.AA 00014 0008 (9007) A3



ED	DATE	1	24/10/95			?	
CHANGE NOTE							
APPRO. AUTHO.		J. C. SONNEFRAUD					
ORIGINATOR		Ph. MAYER					
ALCATEL BUSINESS SYSTEMS		CARTE MONTEE			PEV - CPU BOARD		
				3BN 63067 ADAB EC//A			3/8

Commitment of the Government of the United States of America is not to be construed as an authorization of the use of the information contained herein for any purpose other than that for which it was originally intended.





ED	DATE	1	24/10/95				
CHANGE NOTE							
APPRA. AUTHO.		J. C. SONNEFRAUD					
ORIGINATOR		Ph. MAYER					
ALCATEL BUSINESS SYSTEMS		CARTE MONTEE				PIV - CPU BOARD	
				3BN 6306 / ADAB 1077A		4/8	

1 2 3

A

B

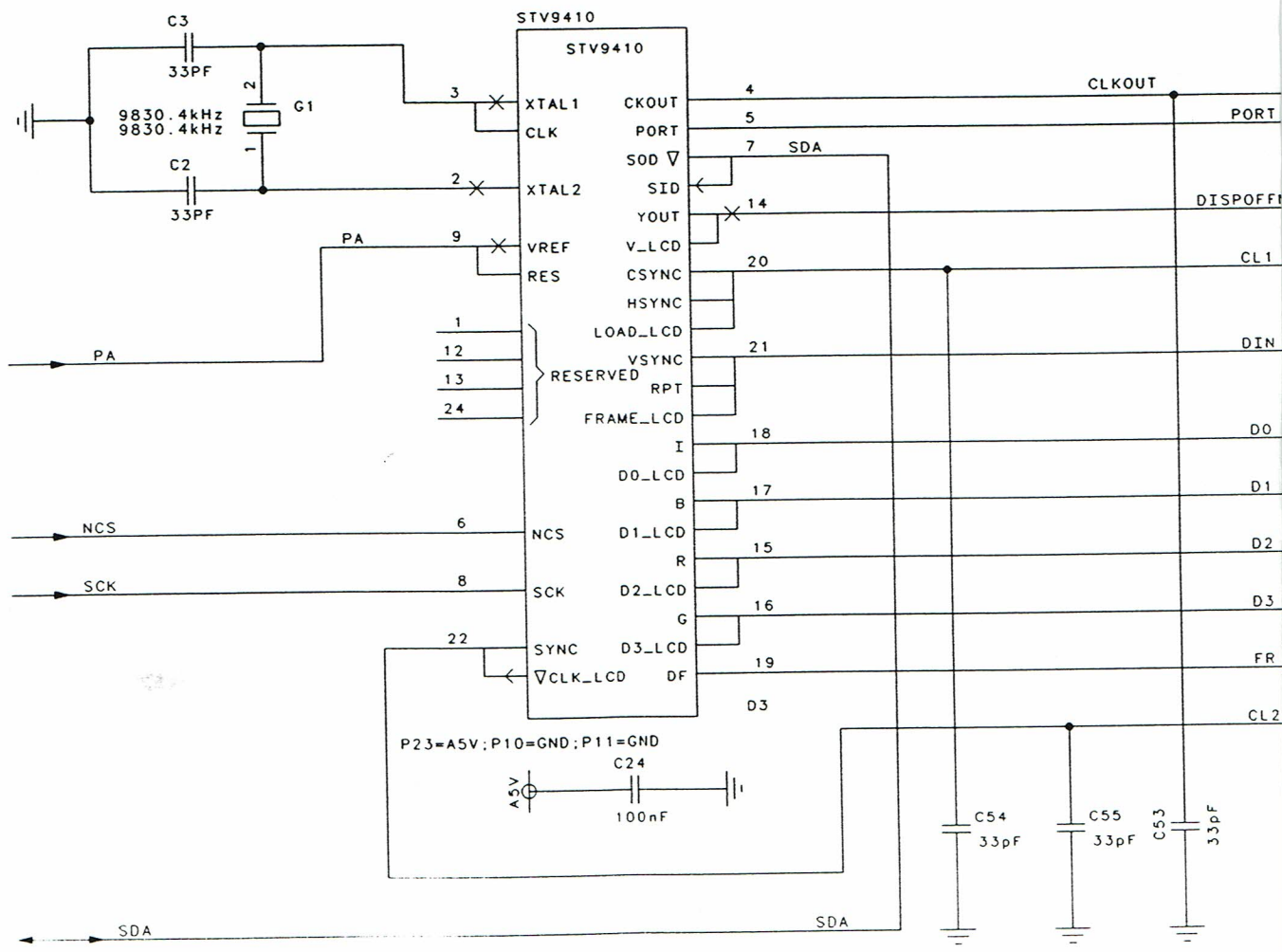
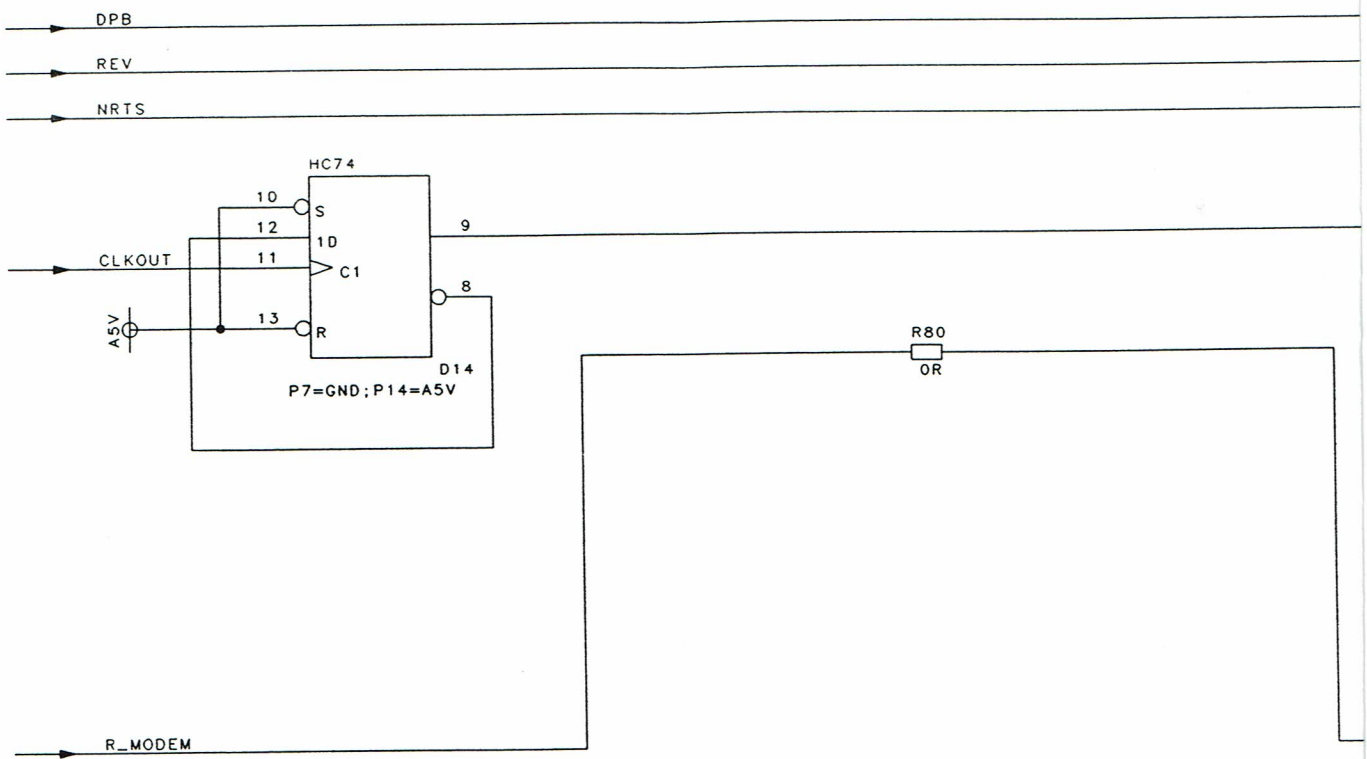
C

D

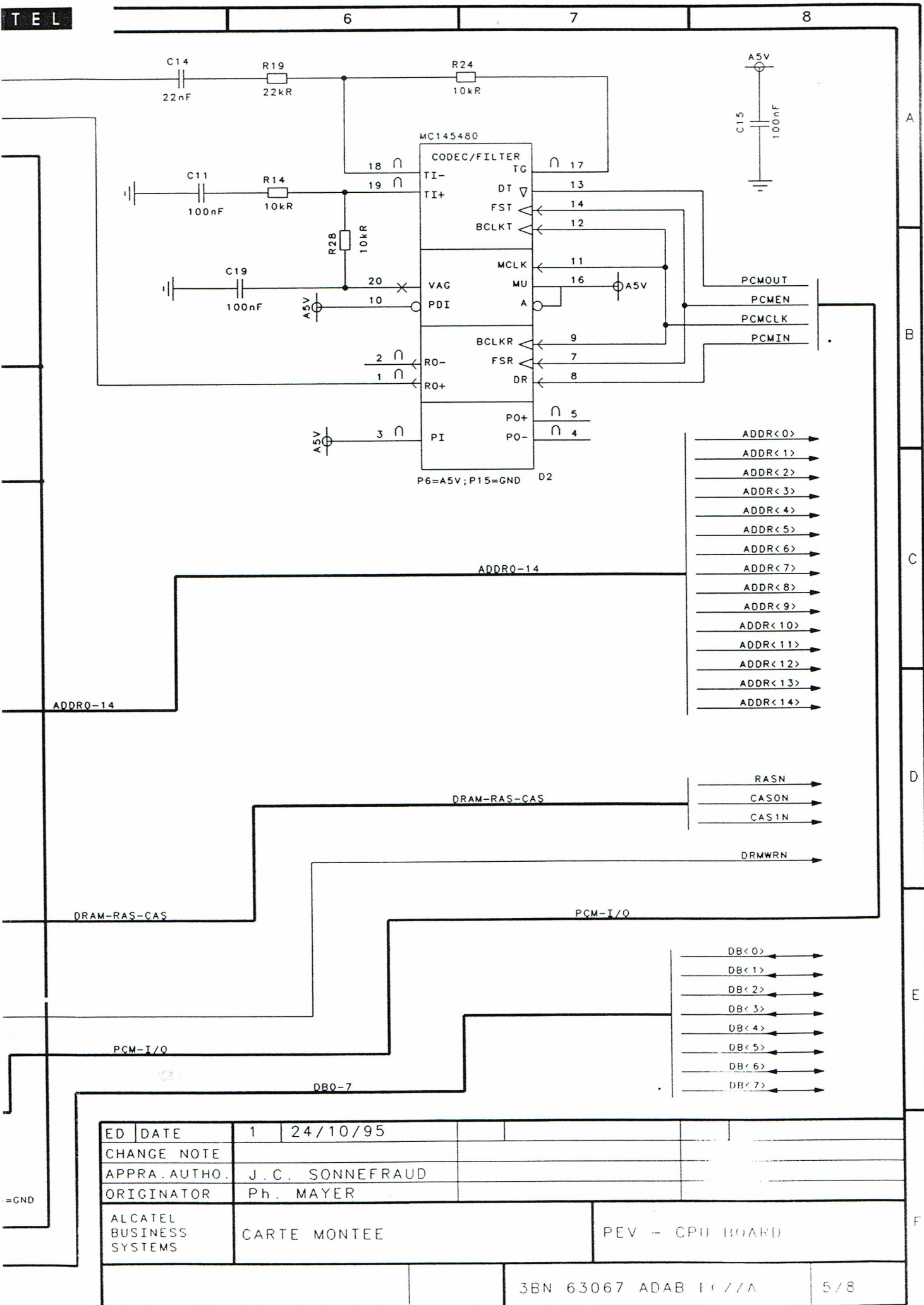
E

F

mitted without written authorization.



1 2 3 4

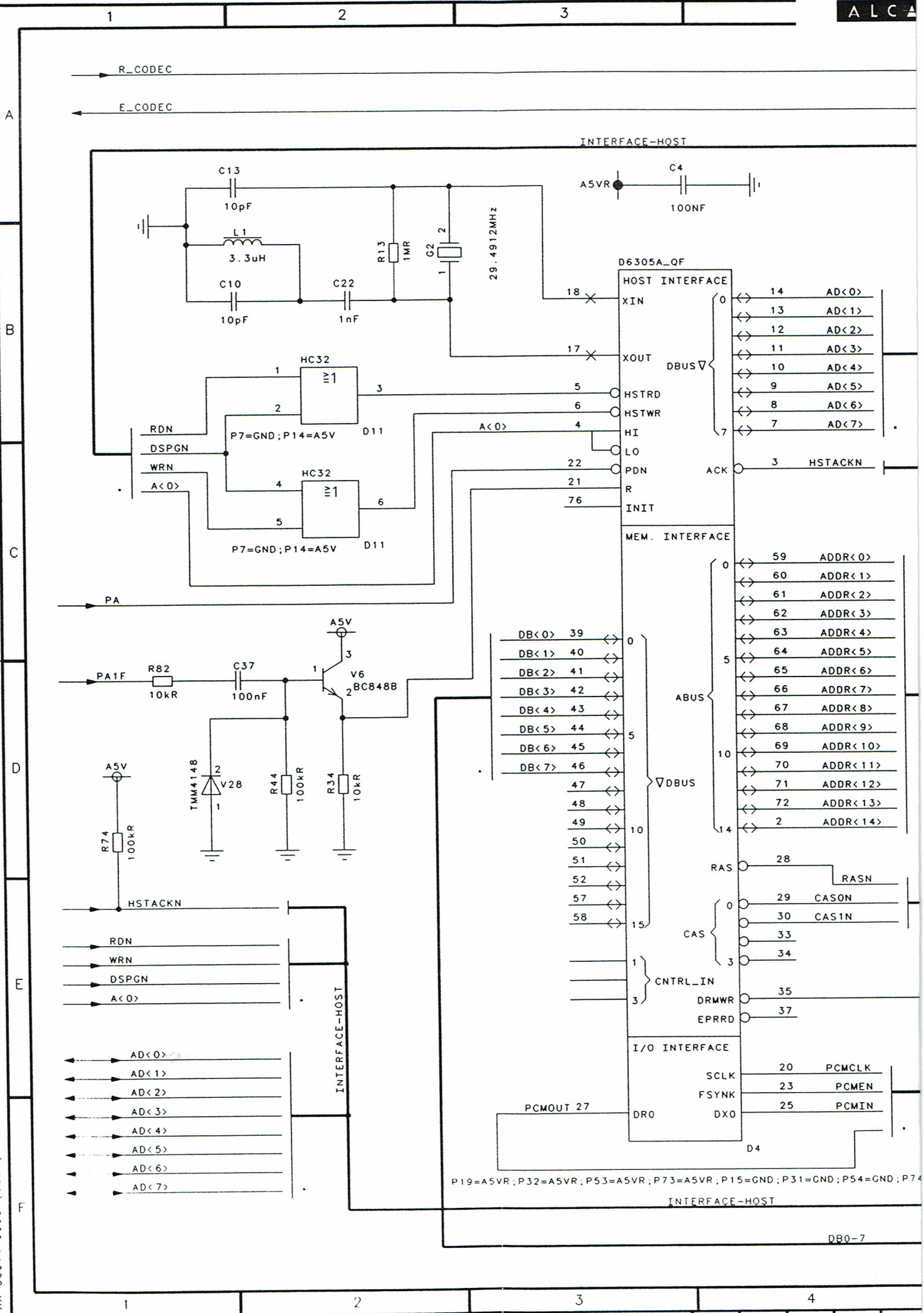


ED	DATE	1	24/10/95				
CHANGE NOTE							
APPRO. AUTHO.	J. C. SONNEFRAUD						
ORIGINATOR	Ph. MAYER						
ALCATEL BUSINESS SYSTEMS	CARTE MONTEE				PEV - CPU BOARD		
					3BN 63067 ADAB 10/7/A		5/8

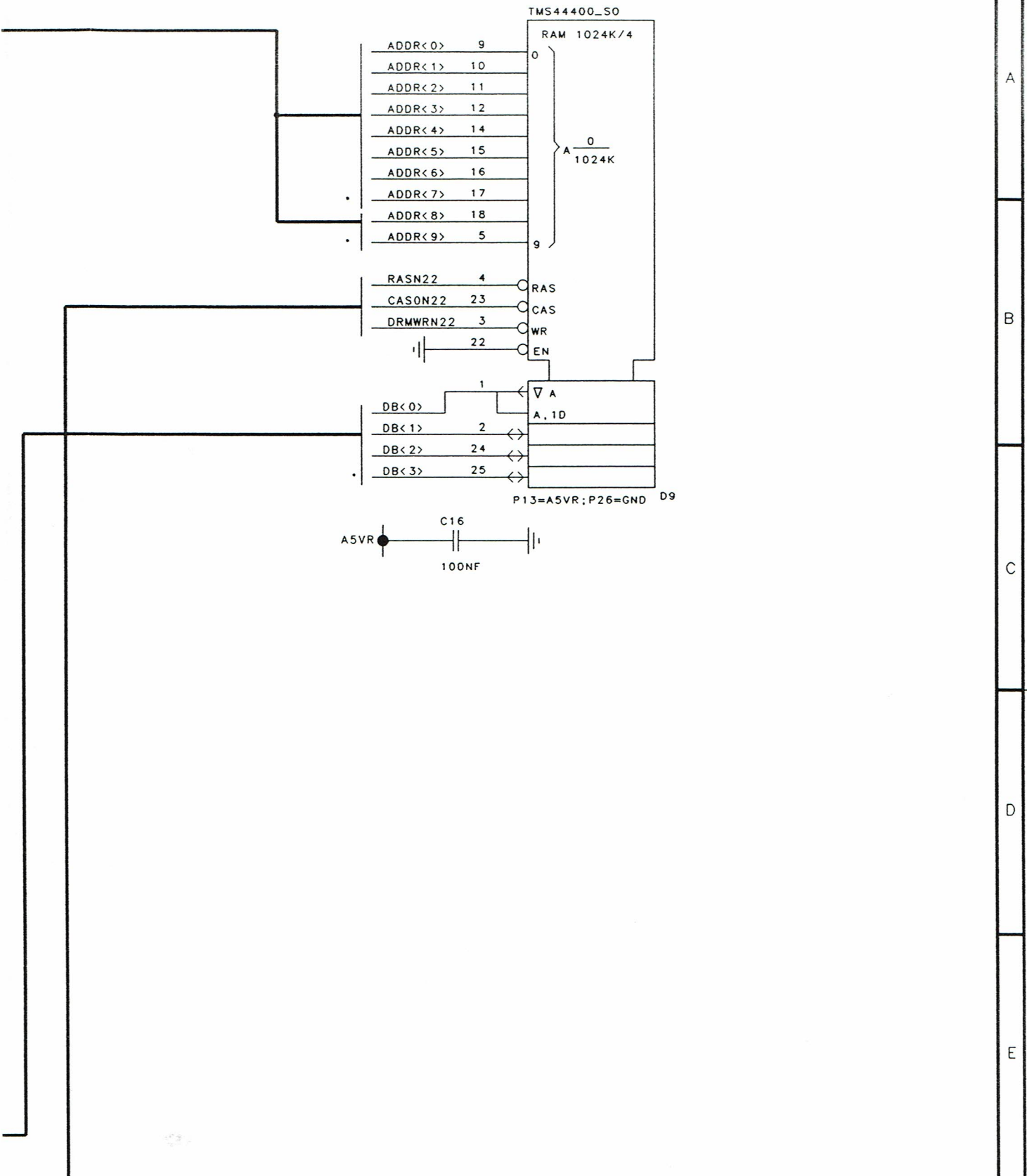
=GND

mitted without written authorization.

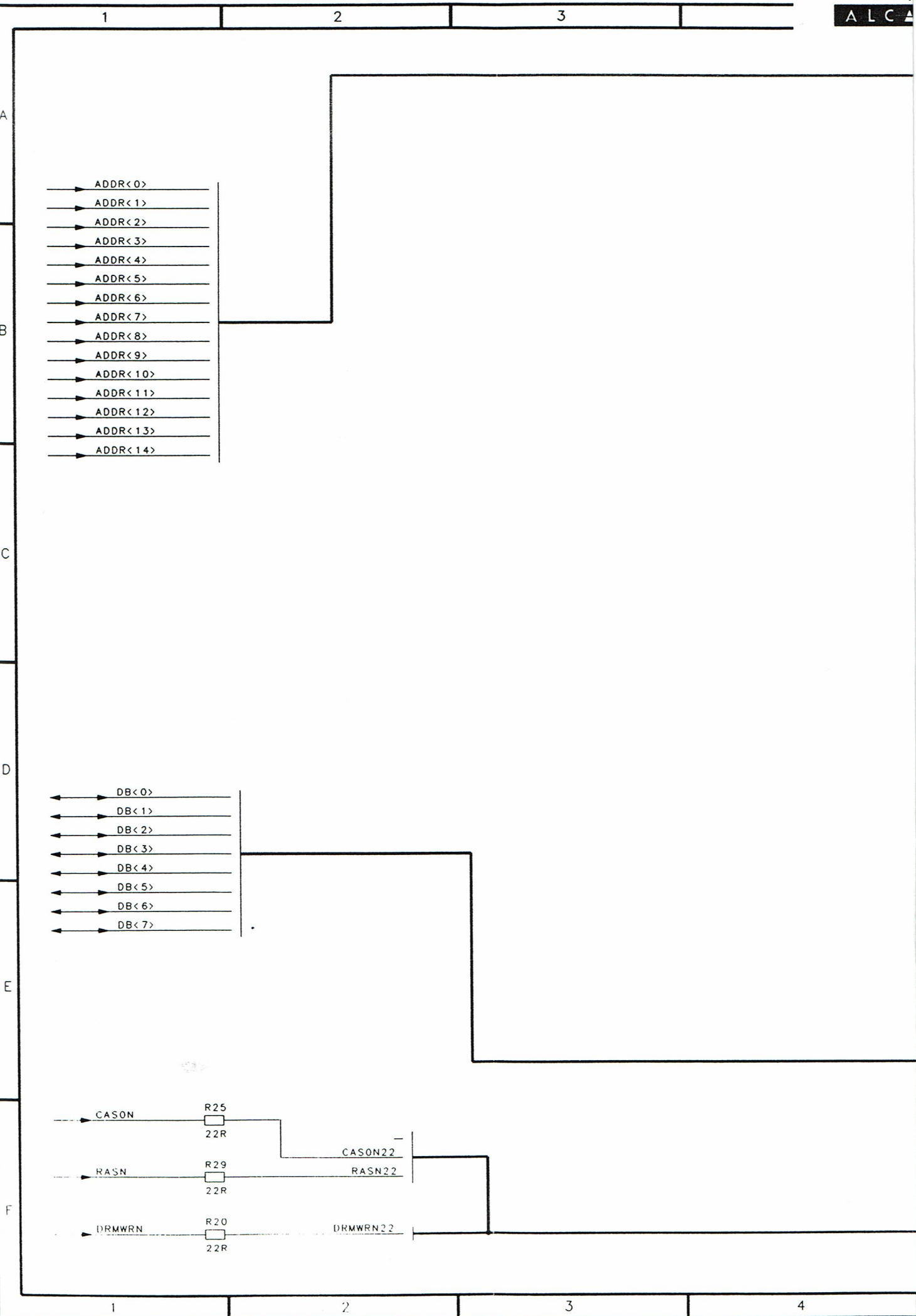
1AA 00014 0008 (9007) A3

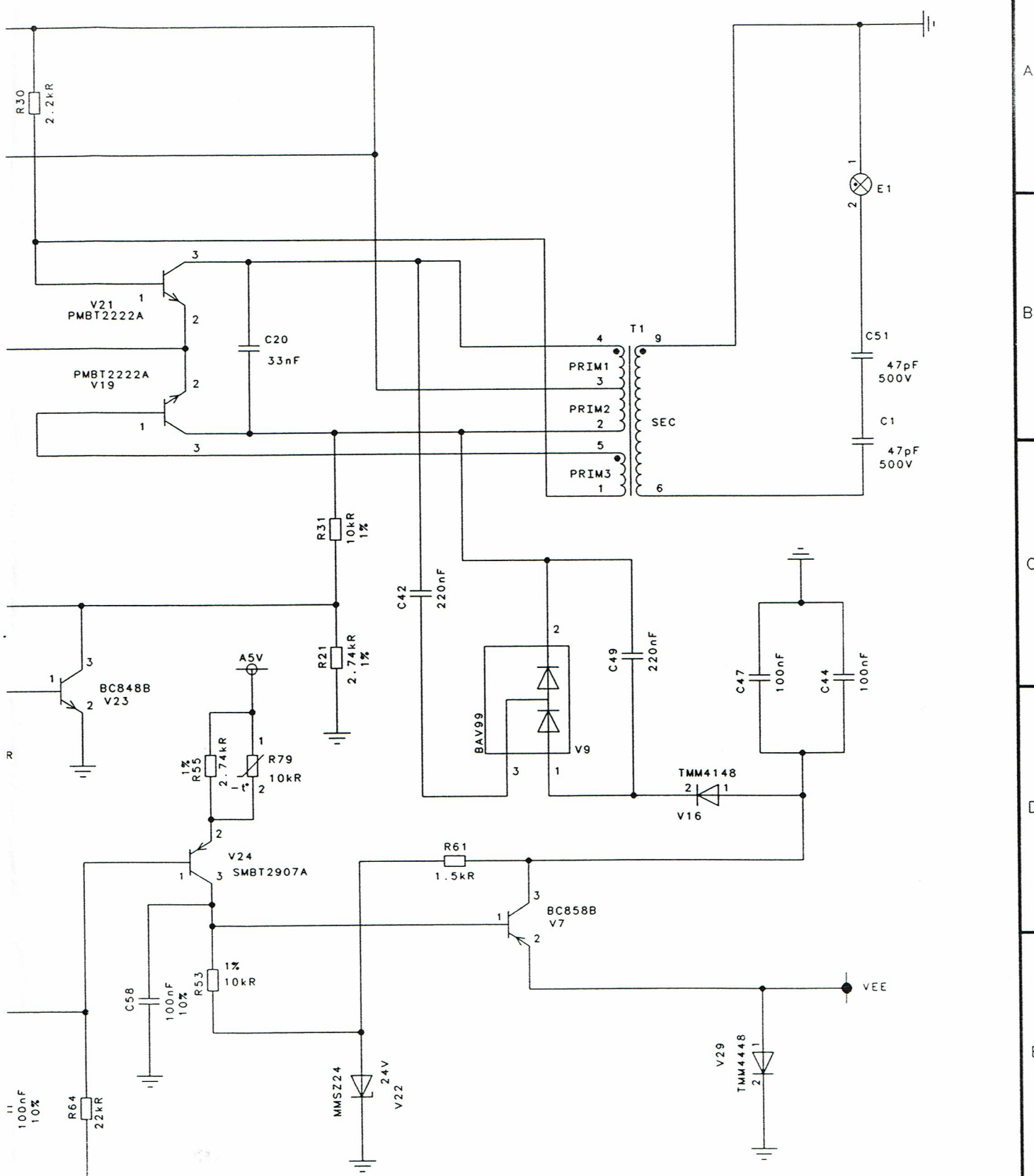






ED	DATE	1	24/10/95			
CHANGE NOTE						
APPRA. AUTHO.		J. C. SONNEFRAUD				
ORIGINATOR		Ph. MAYER				
ALCATEL BUSINESS SYSTEMS		CARTE MONTEE			PEV - CPU BOARD	
				3BN 63067 ADAB EC/7A		6/8





ED	DATE	1	24/10/95			
CHANGE NOTE						
APPRA. AUTHO.		J. C. SONNEFRAUD				
ORIGINATOR		Ph. MAYER				
ALCATEL BUSINESS SYSTEMS		CARTE MONTEE			PEV - CPU BOARD	
				3BN 63067 ADAB 10/7/A		7/8

A

B

C

D

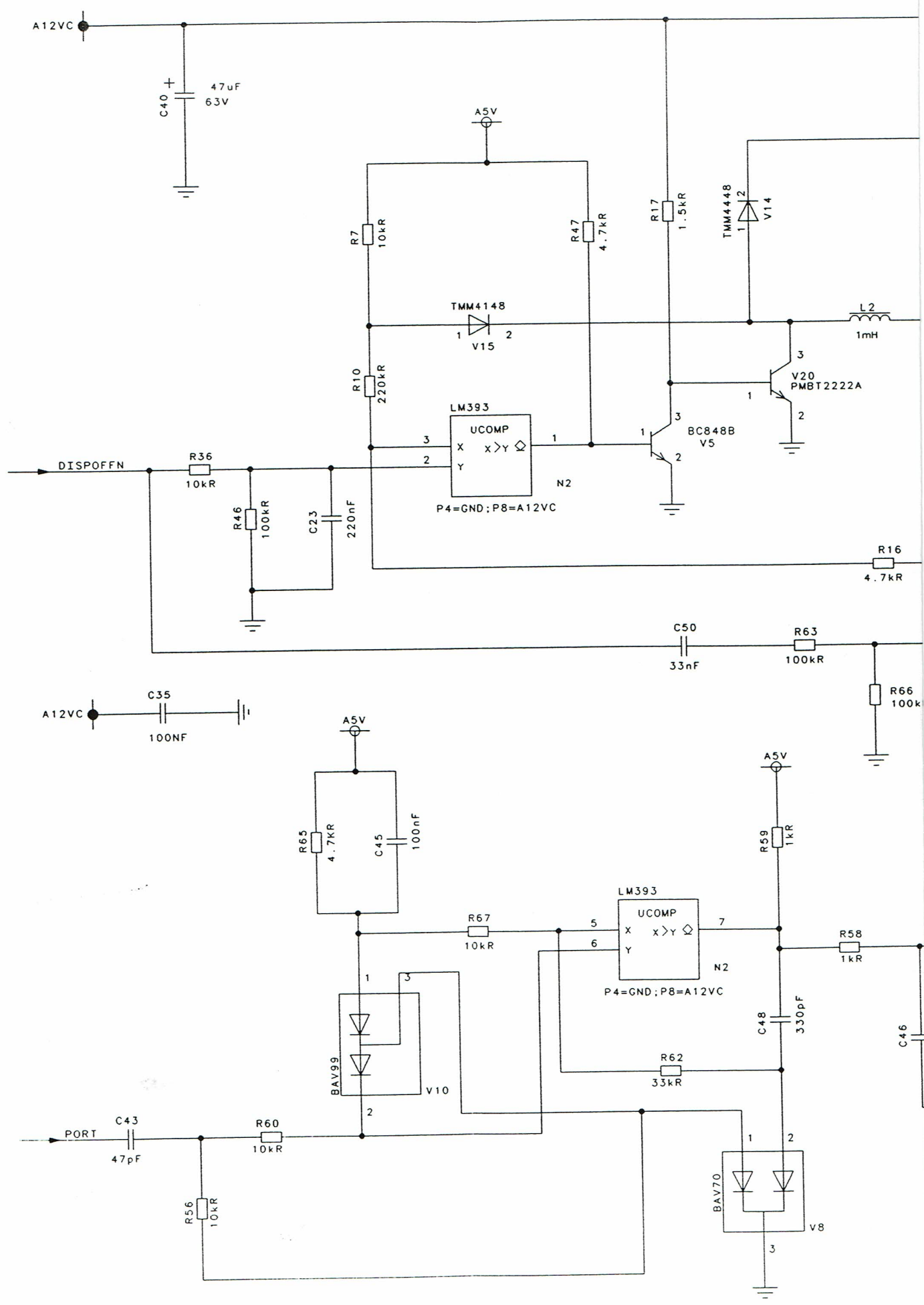
E

F

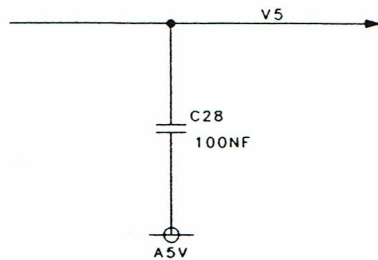
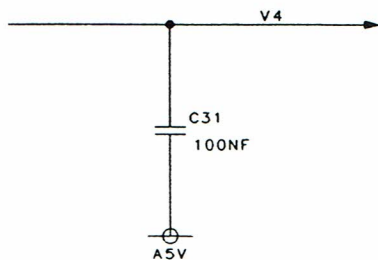
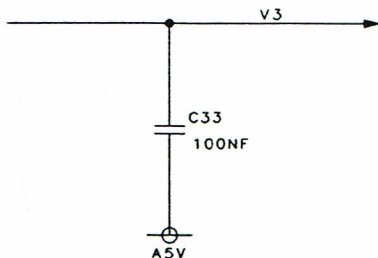
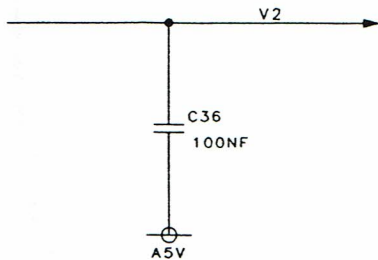
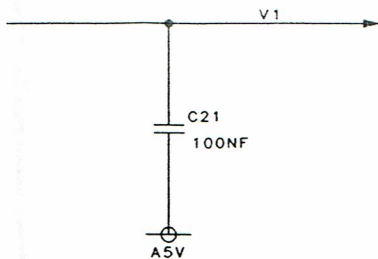
A  
B  
C  
D  
E  
F

1 2 3

1 2 3 4



1AA 00014 0008 (9007) A3



A

B

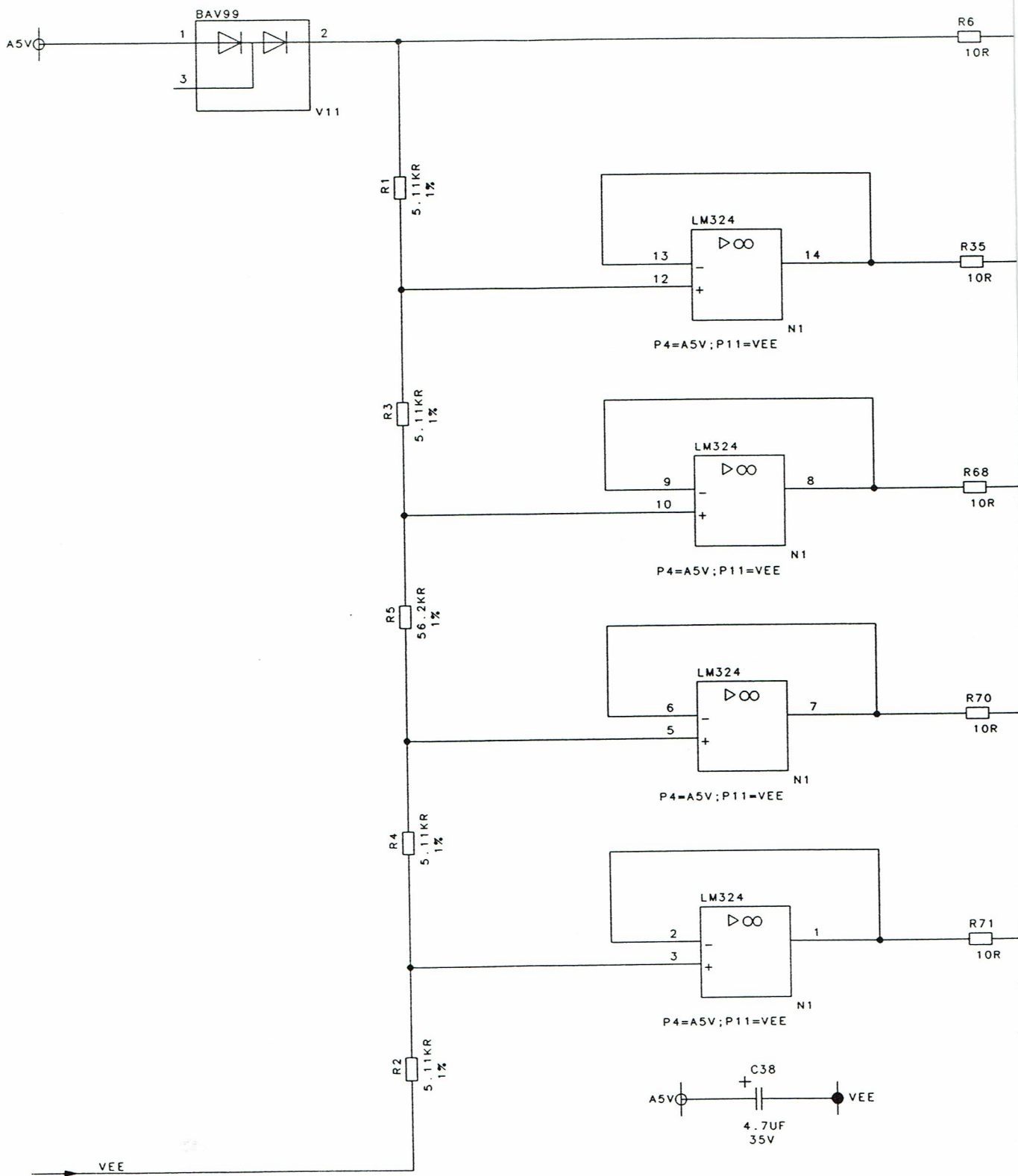
C

D

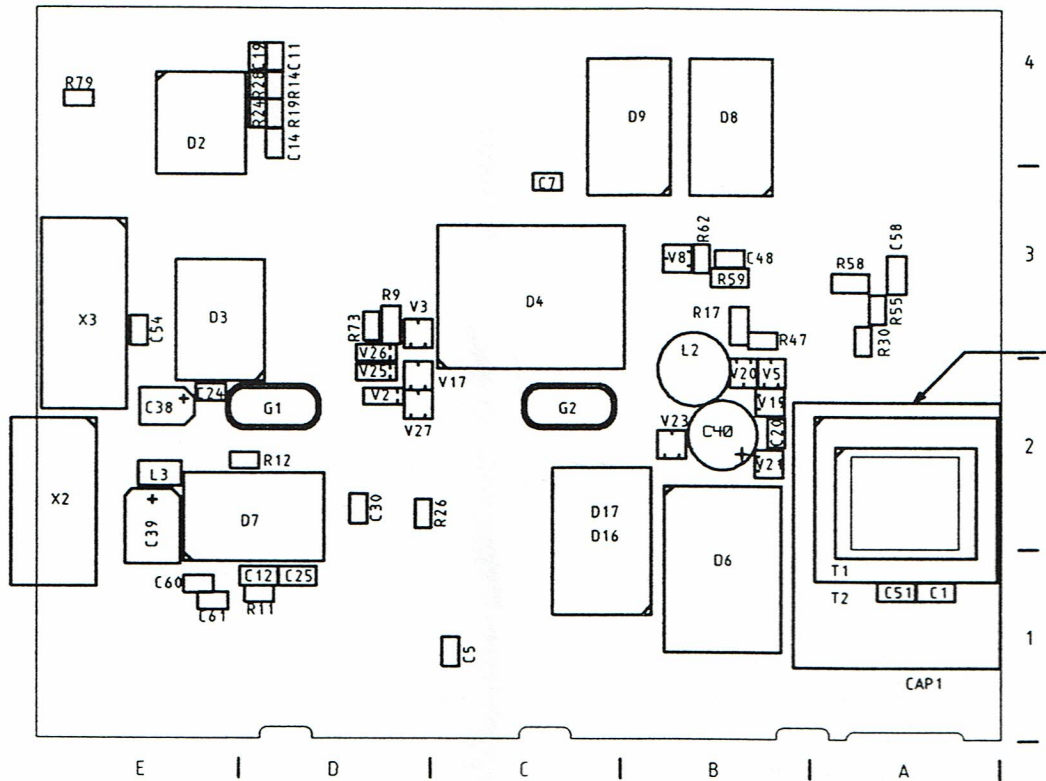
E


F

ED	DATE	1	24/10/95				
CHANGE NOTE							
APPRA. AUTHO.		J. C. SONNEFRAUD					
ORIGINATOR		Ph. MAYER					
ALCATEL BUSINESS SYSTEMS		CARTE MONTEE			PEV - CPU BOARD		
				3BN 63067 ADAB P.C.7/A		8/8	



### LAYOUT VIEW SOLDER SIDE



ED	DATE	01	30 Octobre 1995
CHANGE NOTE			
APPRO. AUTHO.		F. RUBACH	
ORIGINATOR		D. SCHAEFFER	
 BUSINESS SYSTEMS			

3

ALCATEL


6

LAYOUT VIEW COMPONENT SIDE

23

Lamp

The diagram shows a component side layout view of a circuit board. The board is divided into sections A, B, C, D, and E horizontally, and numbered 1, 2, 3, and 4 vertically. A lamp is indicated on the left side, pointing to a vertical strip labeled 'Lamp'. Various components are labeled with alphanumeric codes: resistors (R), capacitors (C), diodes (D), integrated circuits (N, V, L), and other parts like H06, H07, E1, and CAP2. A legend at the bottom right shows symbols for X4, X5, and X1.

ED	DATE	01	30 Octobre 1995
CHANGE NOTE			
APPRO. AUTHO.		F. RUBACH	
ORIGINATOR		D. SCHAEFFER	
 BUSINESS SYSTEMS			

3

4

5

6



TEL

6

7

8

A

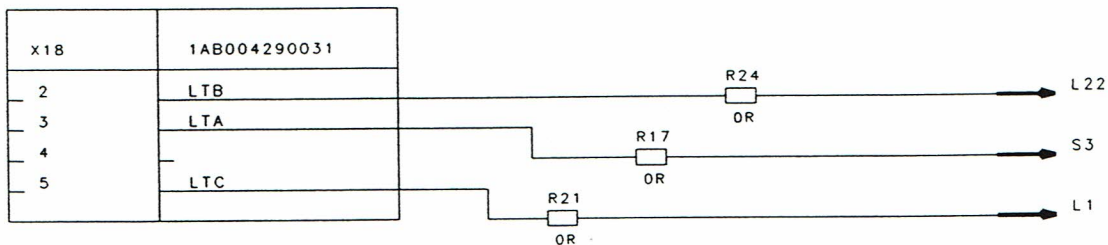
B

C

D

E

F



CONNECTEUR CPU

ED	DATE	01	3/5/95				
CHANGE NOTE	3BN N AS 001188						
APPRA. AUTHO.	P. BITSCH						
ORIGINATOR	F. ANGOT						
ALCATEL BUSINESS SYSTEMS	CARTE FOND DE POSTE				CONNECTEURS		
DRAWING: TITLE=PEV_FDP_EQUI		2000		3BN 63066 AAAD EC//A			1/11

5

6

7

8

1

2

3

A

B

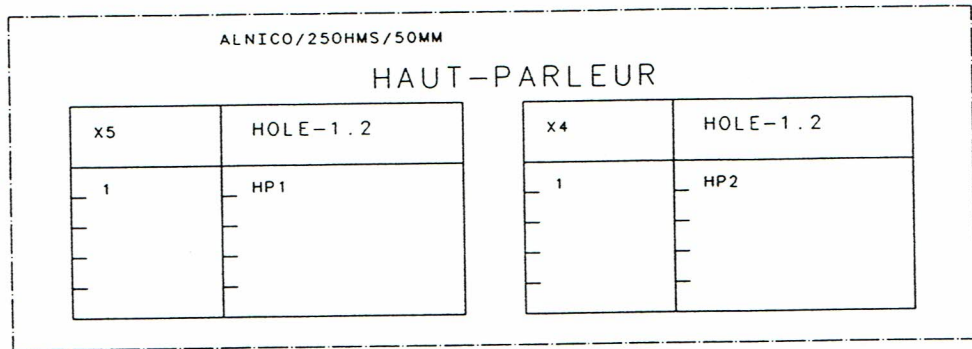
C

D

E

F

mitted without written authorization.



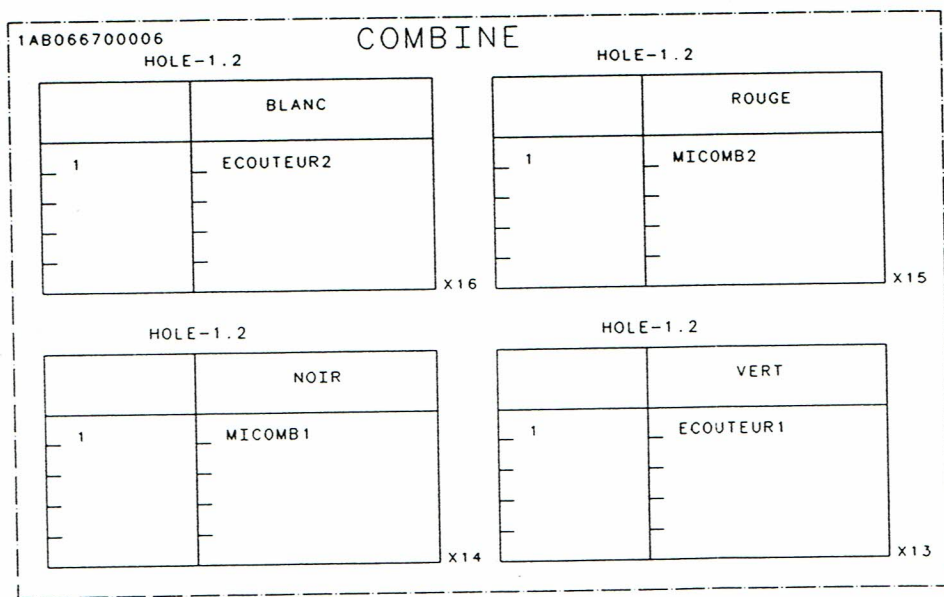
x7	3BN61183AAAA
1	APILE+
2	

x9	3BN61183AAAA
1	APILE-
2	

x21	3BN61183AAAA
1	COMMUN
2	

x17	3BN61183AAAA
1	COMMUN
2	

x12	1AB061530021
1	E_TARM
2	R_TARM
3	R_MOD
4	GND\G
5	E_MOD
6	A12VL\G
7	TPV
8	TVP
9	VCC
10	GND\G
11	A12VC
12	A5VR
13	PA1
14	APILE

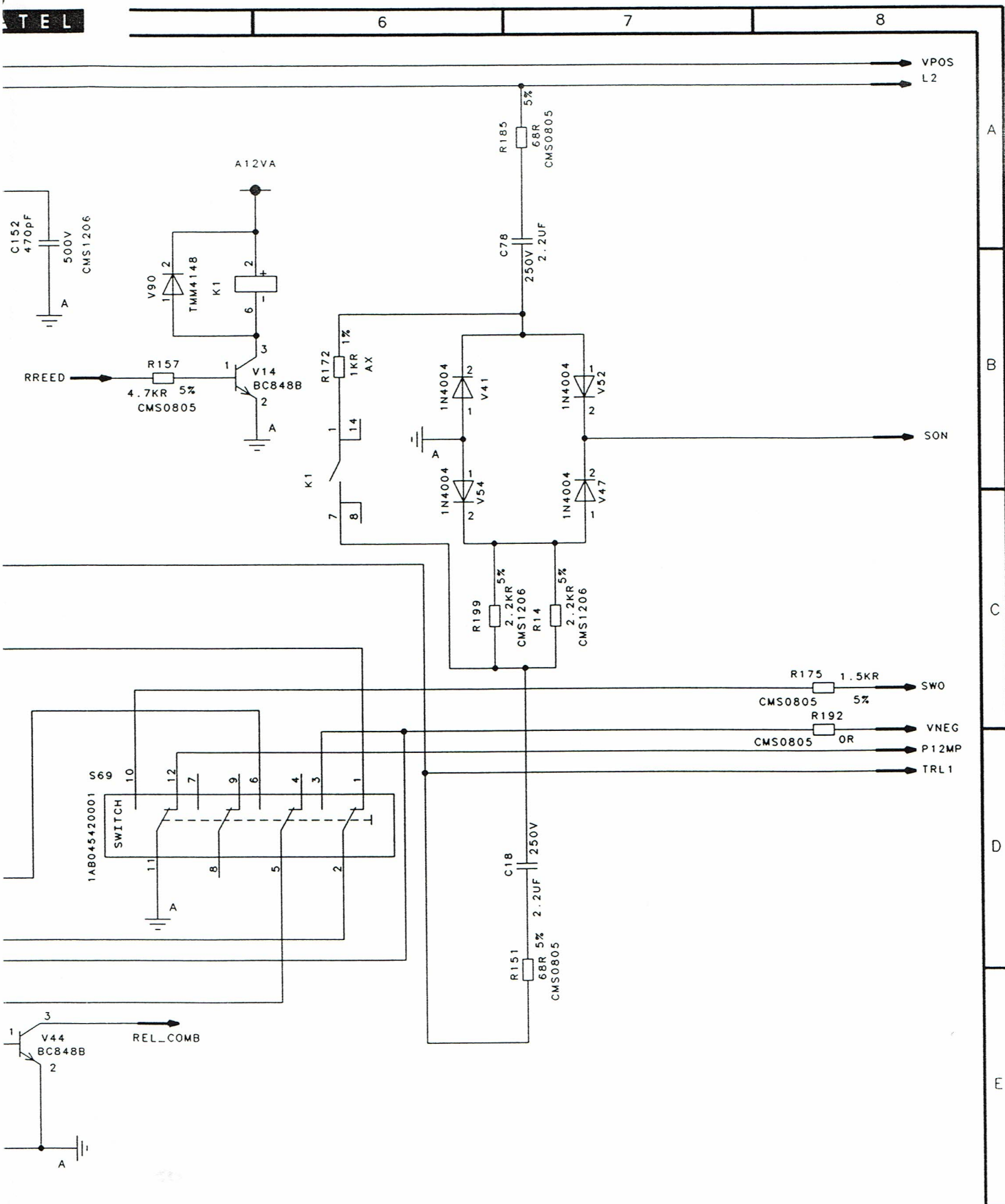


1

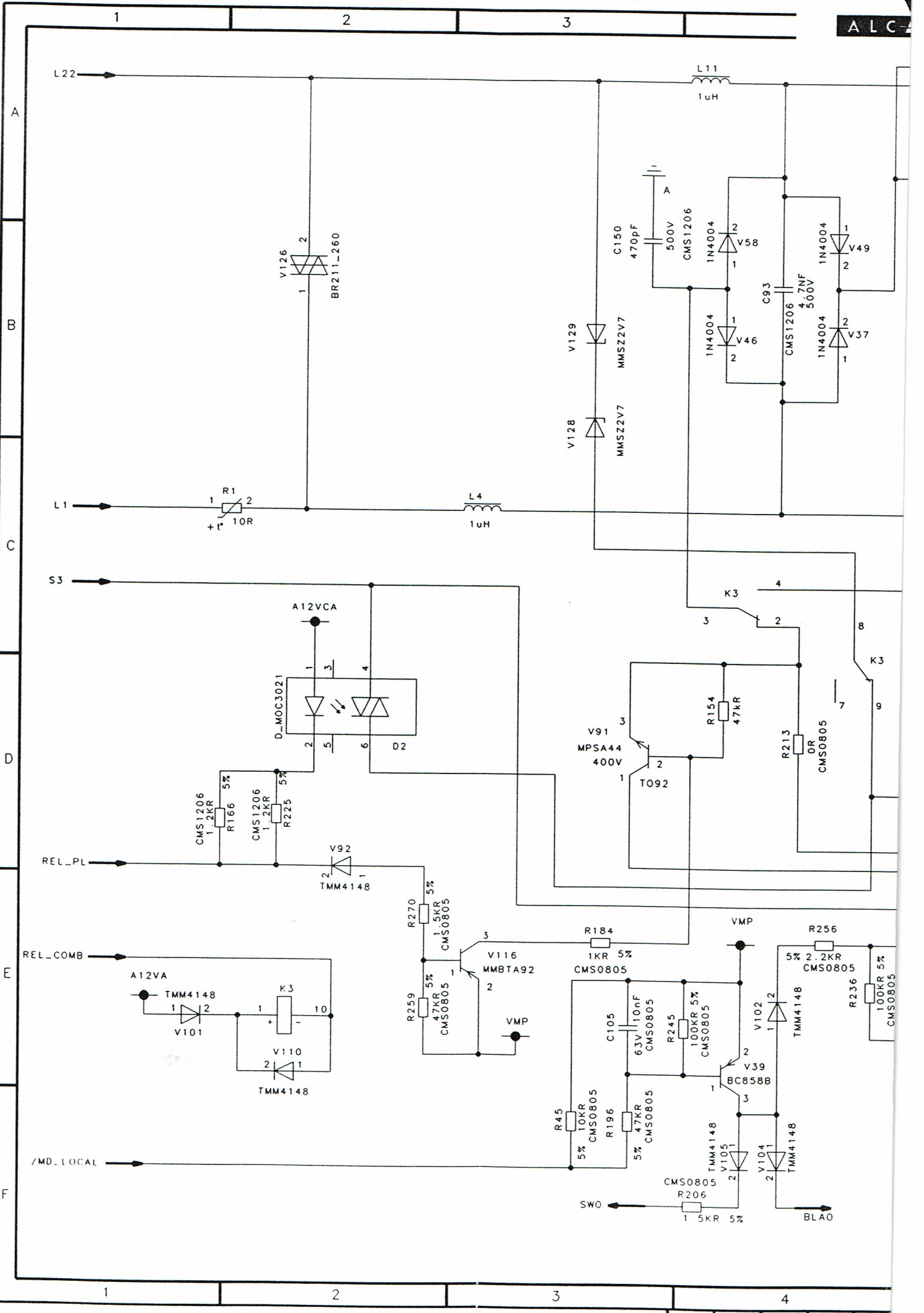
2

3

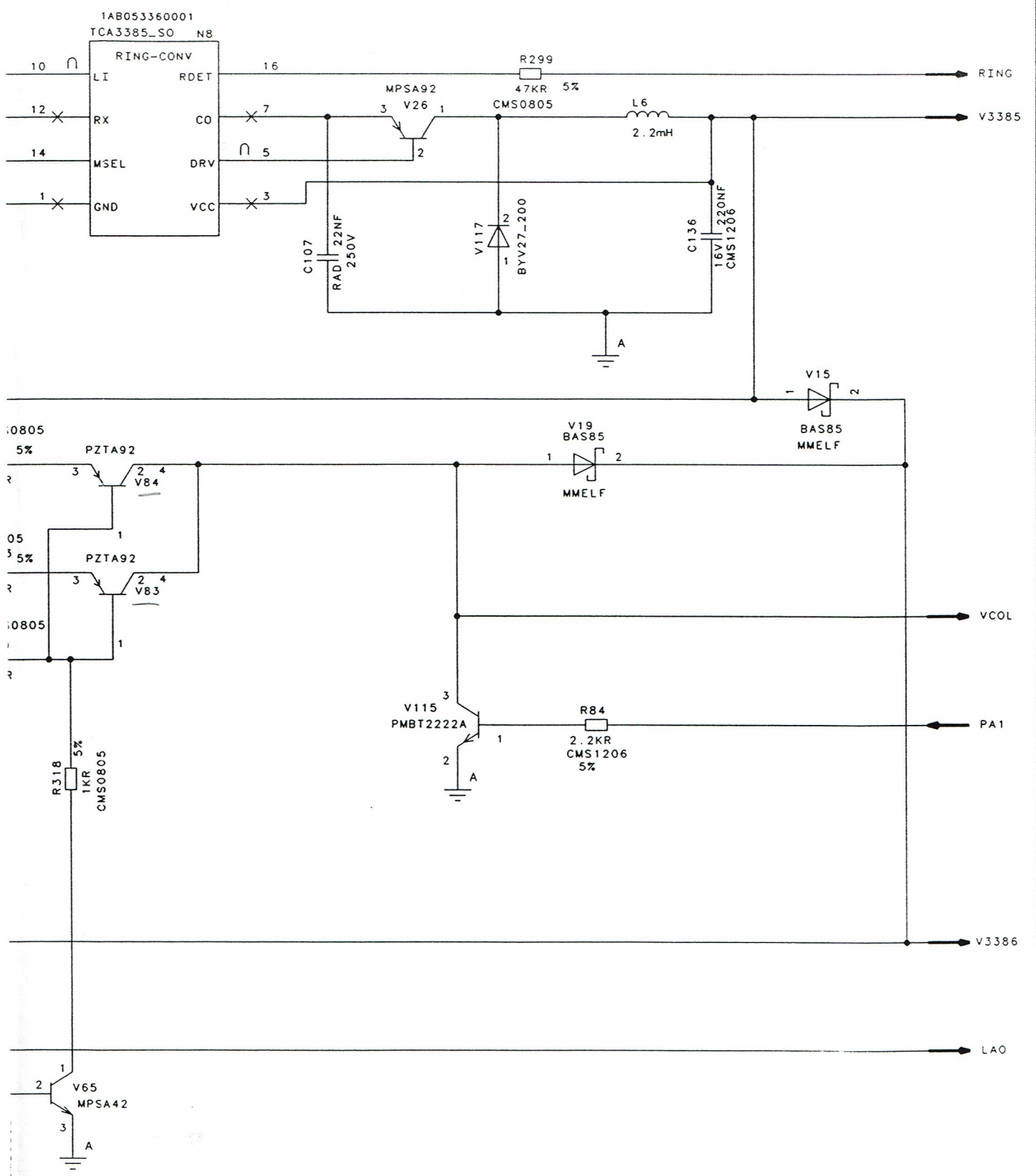
4



ED	DATE	01	3/5/95			
CHANGE NOTE	3BN N AS 001188					
APPRO. AUTHO.	P. BITSCH					
ORIGINATOR	F. ANGOT					
ALCATEL BUSINESS SYSTEMS	CARTE FOND DE POSTE			INTERFACE DE LIGNE		
SILLAGE 2000		3BN 63066 AAAD EC//A			2/11	



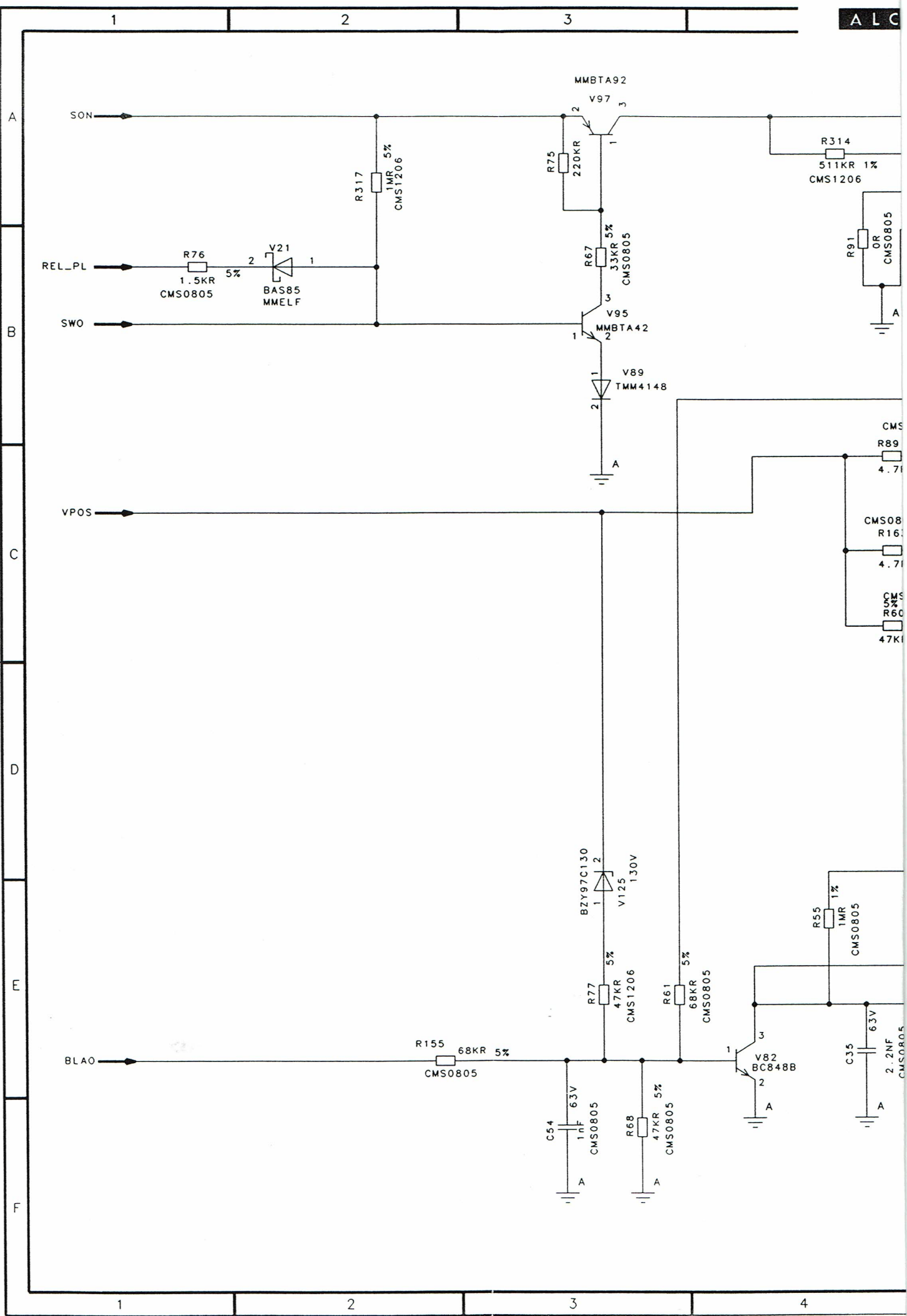
reproduction of its contents not permitted without written authorization.



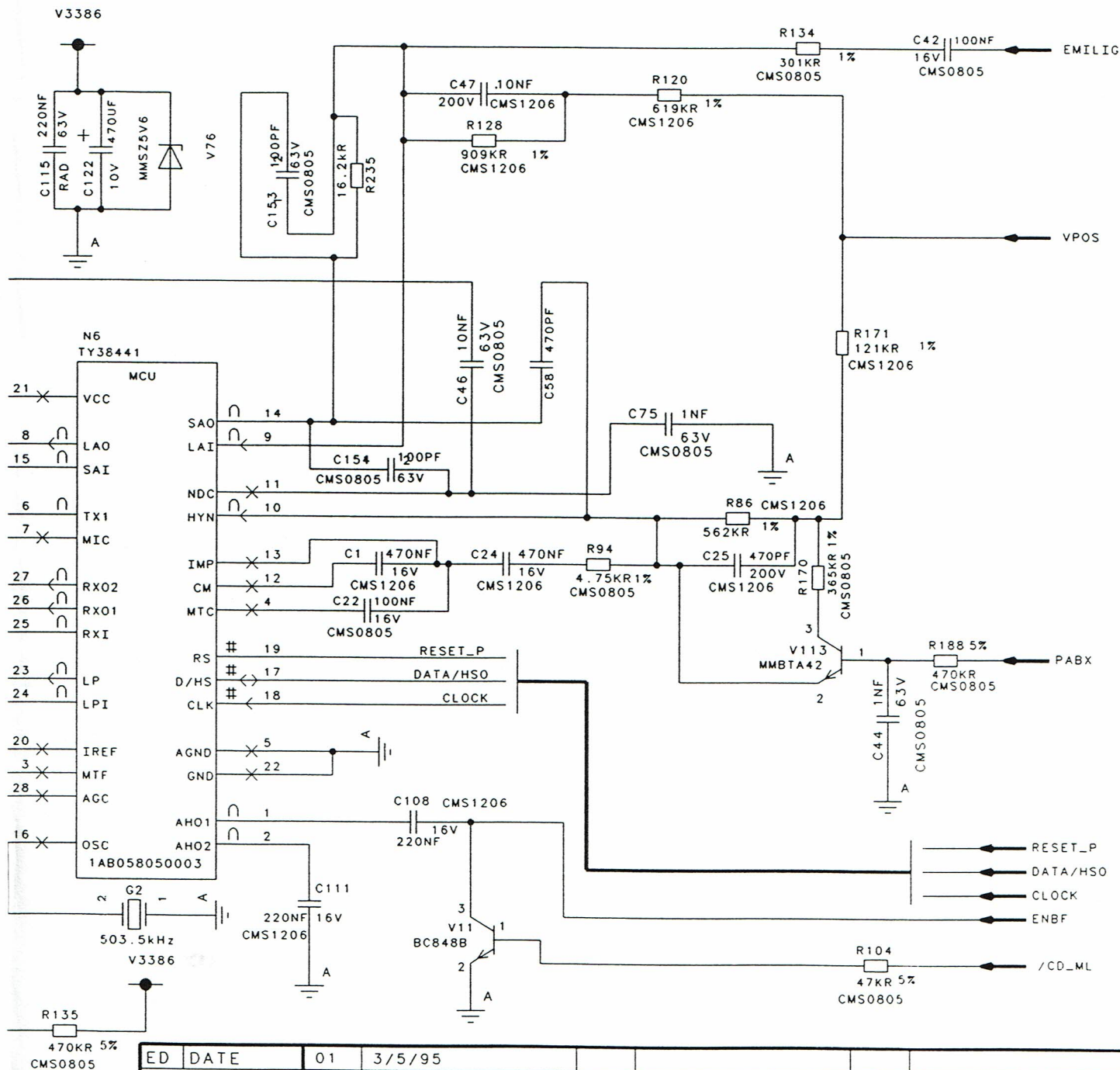
ED	DATE	01	3/5/95			
CHANGE NOTE	3BN N AS 001188					
APPRO. AUTHO.	P. BITSCH					
ORIGINATOR	F. ANGOT					
ALCATEL BUSINESS SYSTEMS	CARTE FOND DE POSTE			SONNERIE NUMERATION		
SILLAGE 2000		3BN 63066 AAAD EC/7A		3/11		

mitted without written authorization.

ALC



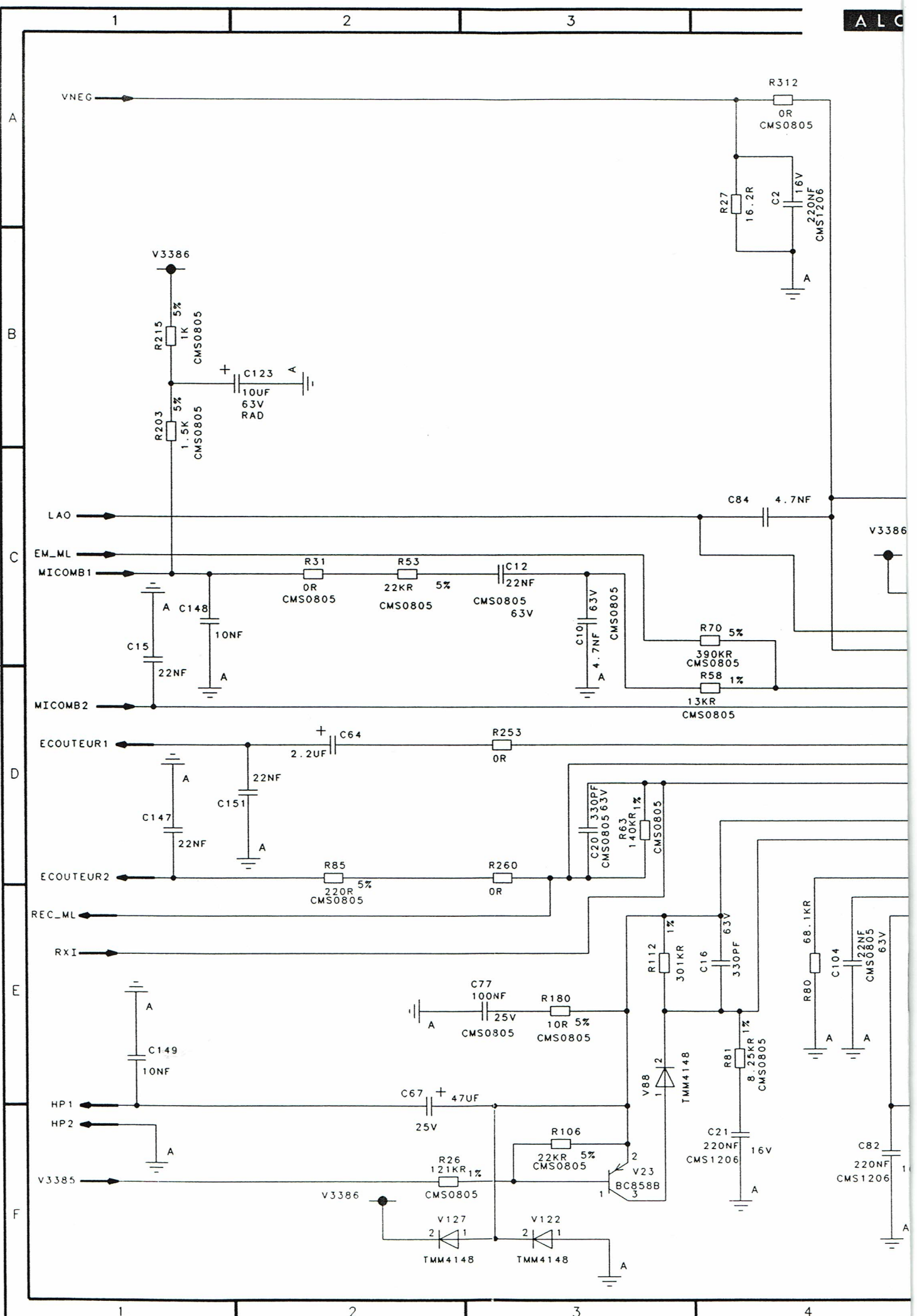
1AA 00014 0008 (9007) A3



ED	DATE	01	3/5/95		
CHANGE NOTE	3BN N AS 001188				
APPRO. AUTHO.	P. BITSCH				
ORIGINATOR	F. ANGOT				
ALCATEL BUSINESS SYSTEMS	CARTE FOND DE POSTE			TELEPHONIE	
SILLAGE 2000			3BN 63066 AAAD EC//A		4/11

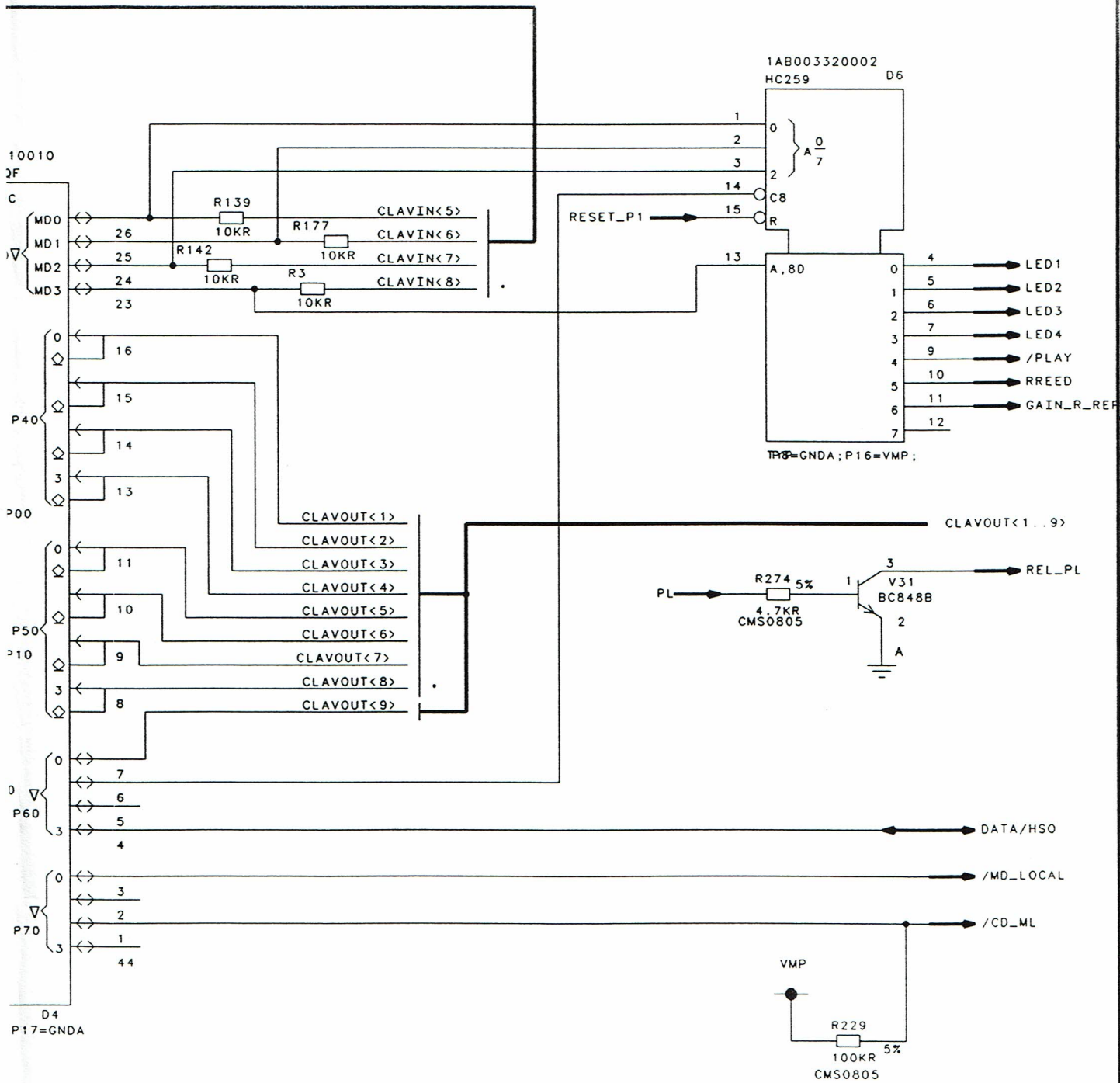
5V

Communication of its contents not permitted without written authorization.



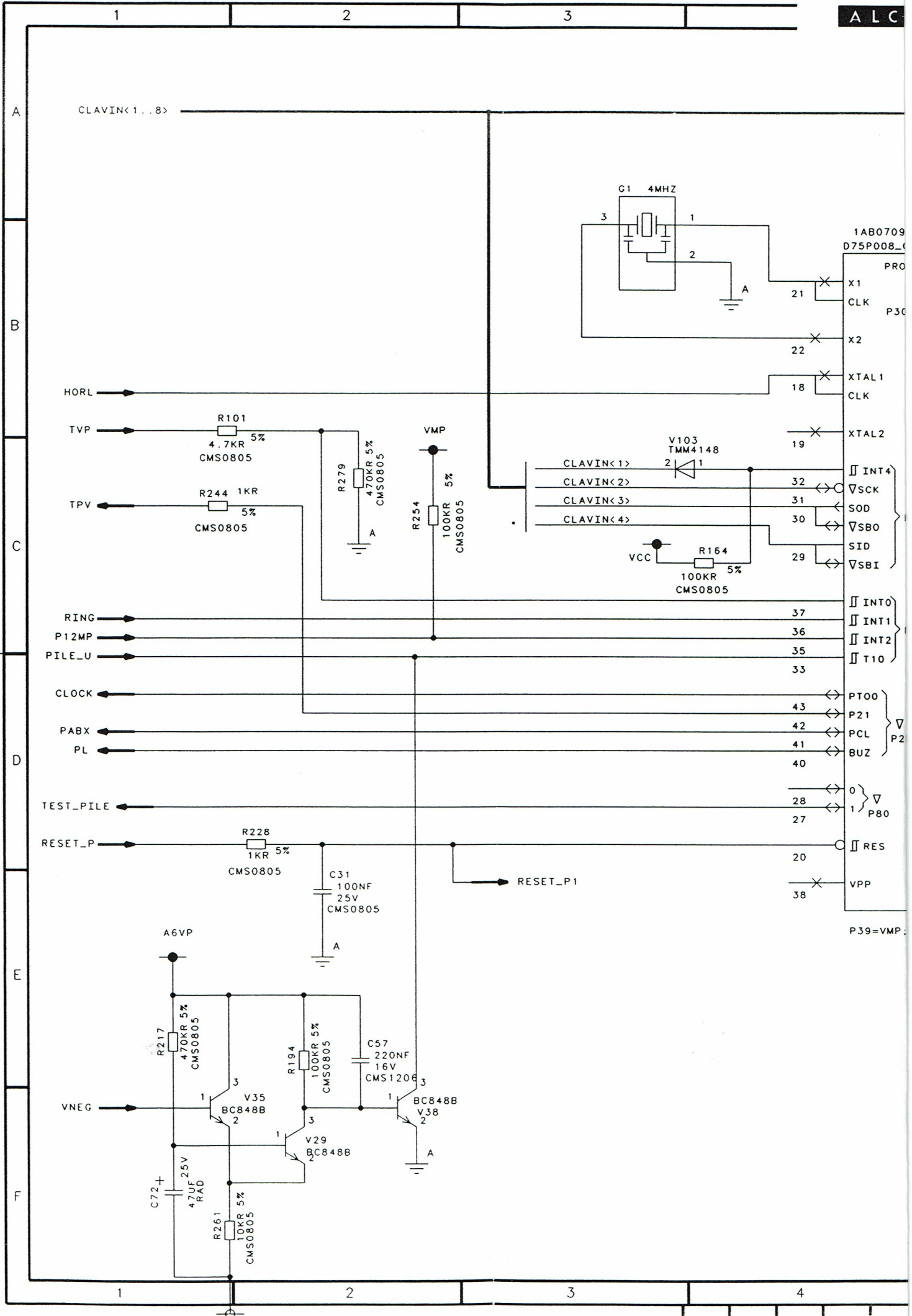
1AA 00014 0008 (9007) A3

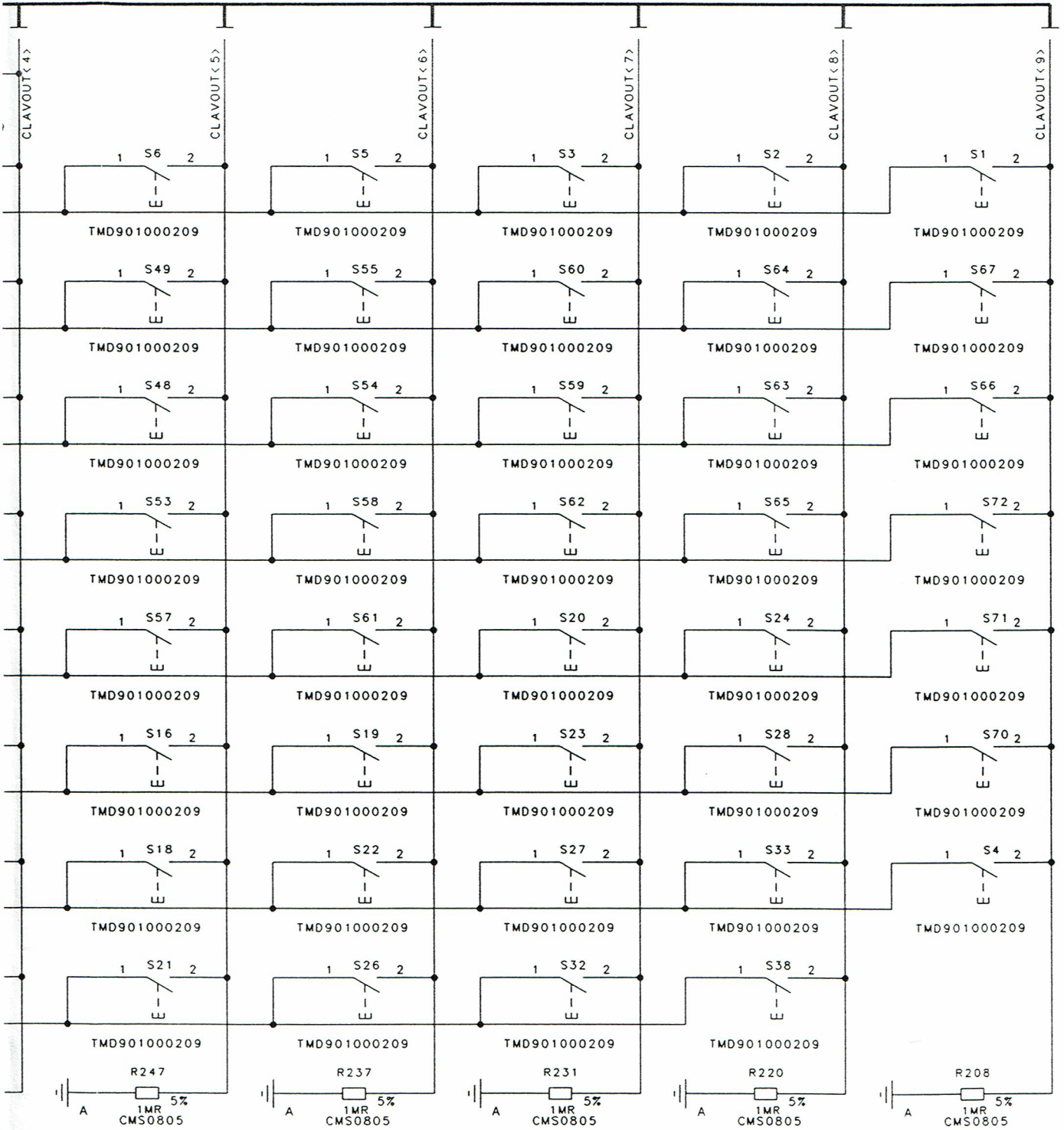




ED	DATE	01	3/5/95			
CHANGE NOTE	3BN N AS 001188					
APPRO. AUTHO.	P. BITSCH					
ORIGINATOR	F. ANGOT					
ALCATEL BUSINESS SYSTEMS	CARTE FOND DE POSTE			MICRO POSTE		
SILLAGE 2000			3BN 63066 AAAD EC//A			5/11

copying of this document, use and communication of its contents not permitted without written authorization.





2VCA

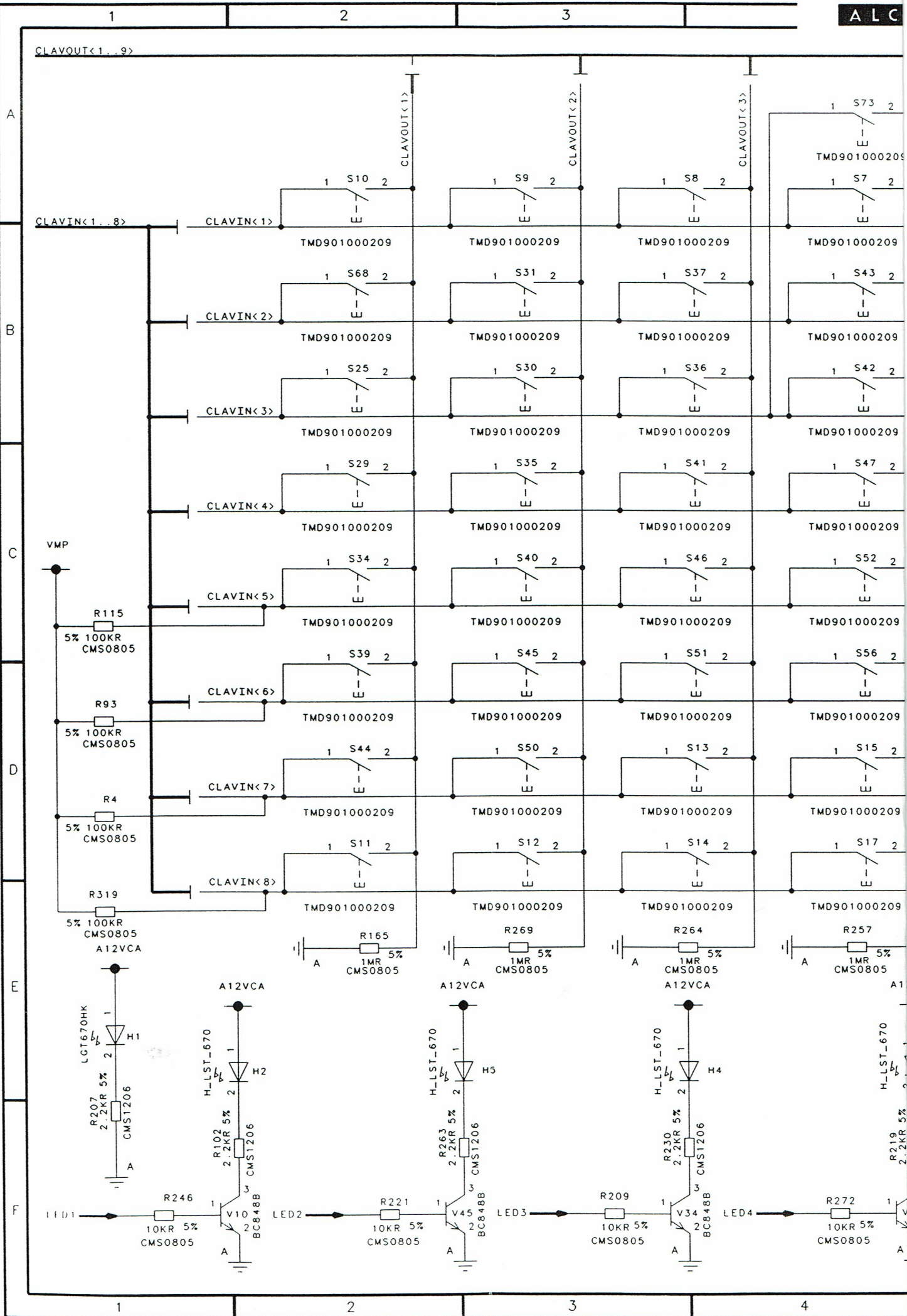
H3

BC848B  
51  
3 CMS1206

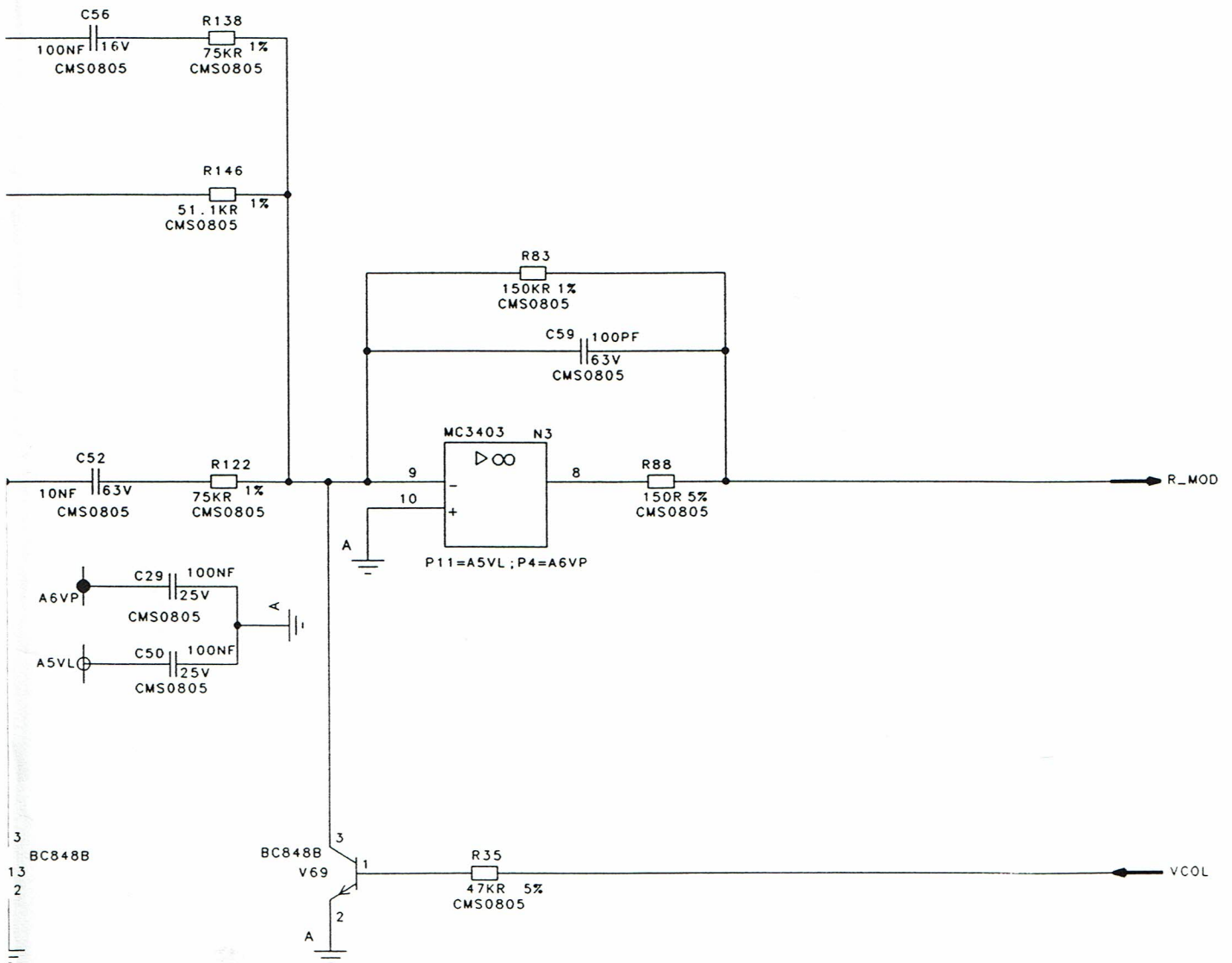
ED	DATE	01	3/5/95			
CHANGE NOTE	3BN N AS 001188					
APPRO. AUTHO.	P. BITSCH					
ORIGINATOR	F. ANGOT					
ALCATEL BUSINESS SYSTEMS	CARTE FOND DE POSTE				CLAVIER	
SILLAGE 2000			3BN 63066 AAAD EC//A			6/11

Copying of this document, use and communication of its contents not permitted without written authorization.

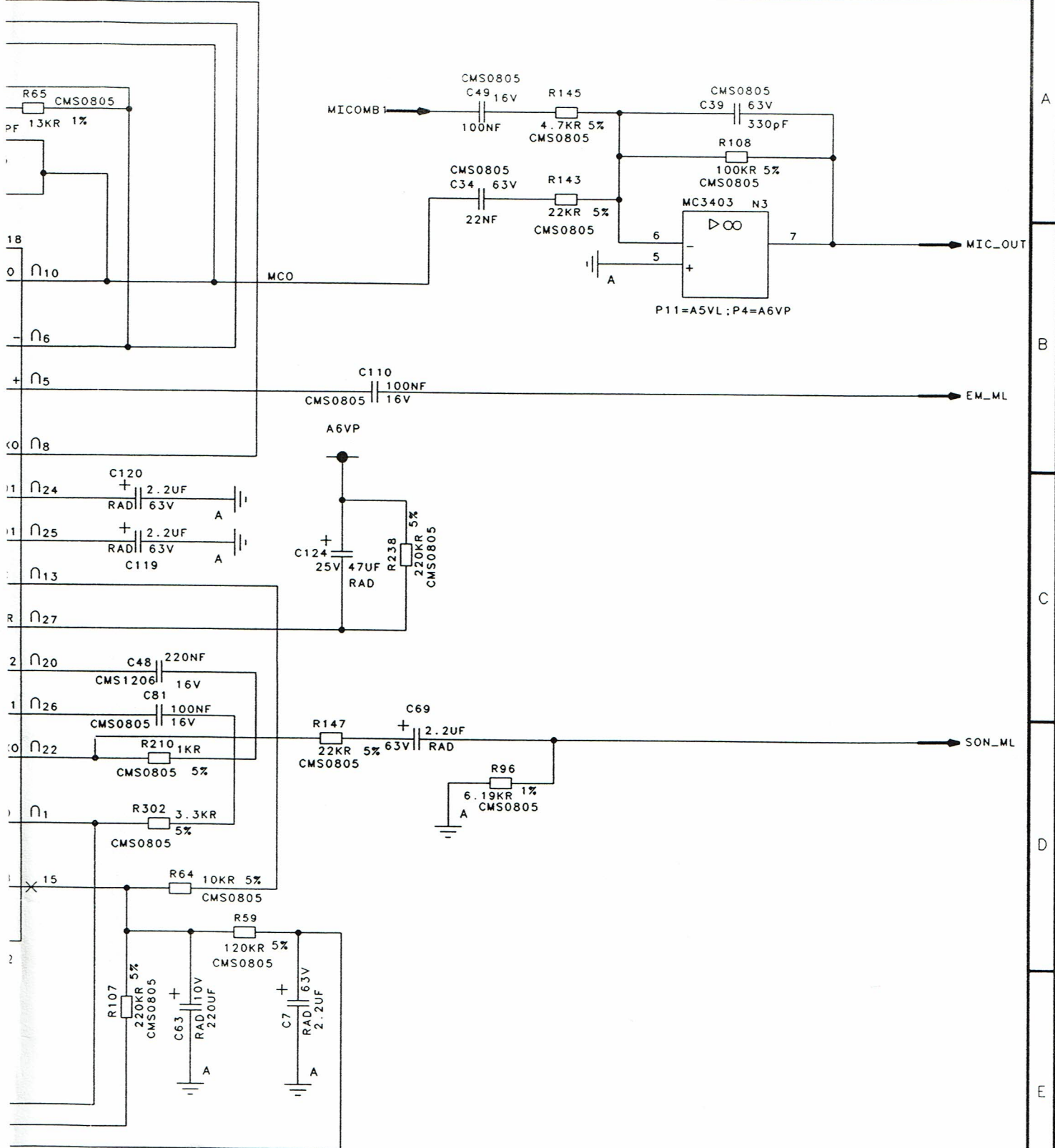
ALC



1AA 00014 0008 (9007) A3



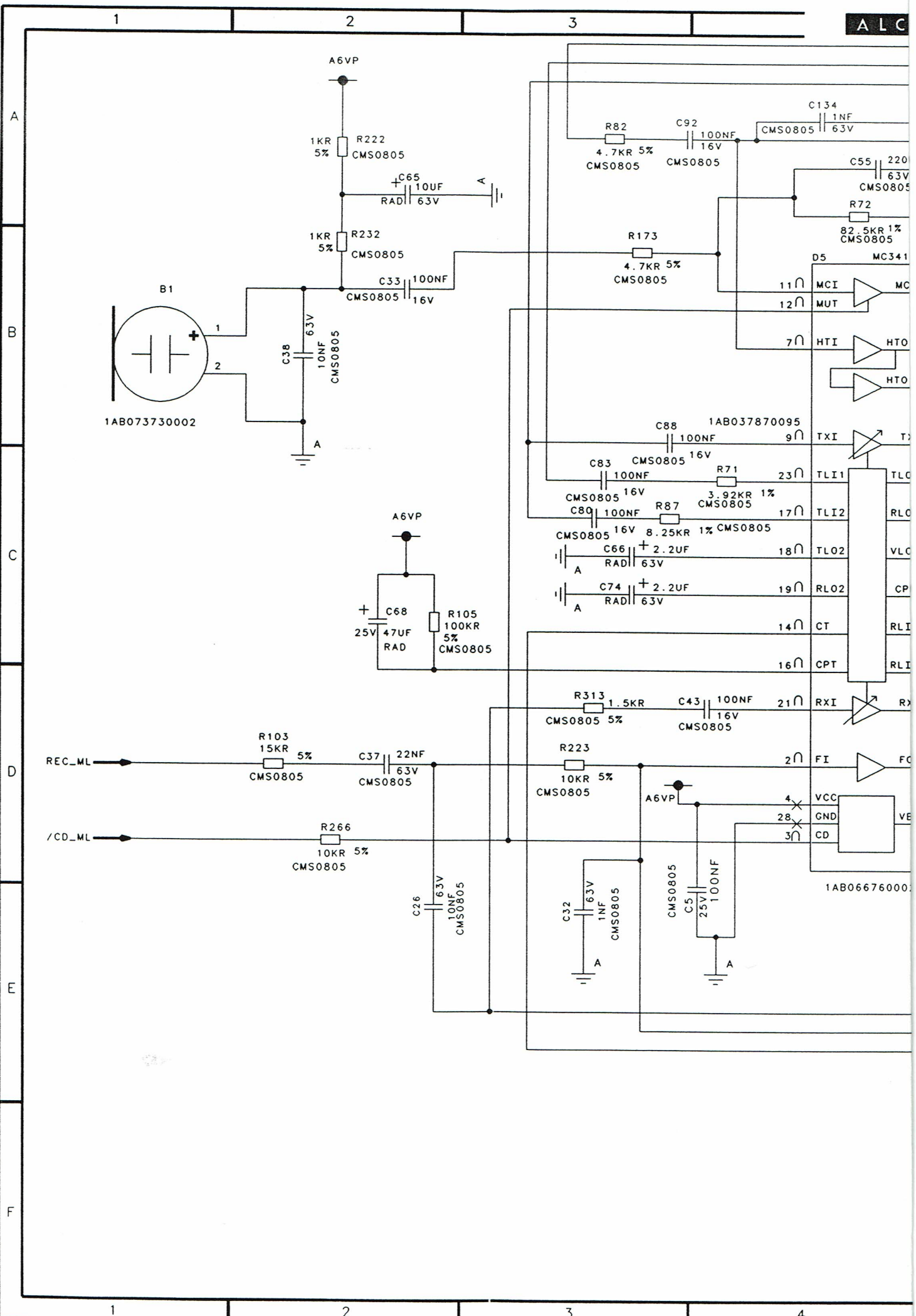
ED	DATE	01	3/5/95			
CHANGE NOTE	3BN N AS 001188					
APPRO. AUTHO.	P. BITSCH					
ORIGINATOR	F. ANGOT					
ALCATEL BUSINESS SYSTEMS	CARTE FOND DE POSTE				DUPEXEUR MODIM	
SILLAGE 2000			3BN 63066 AAAD EC//A			8/11

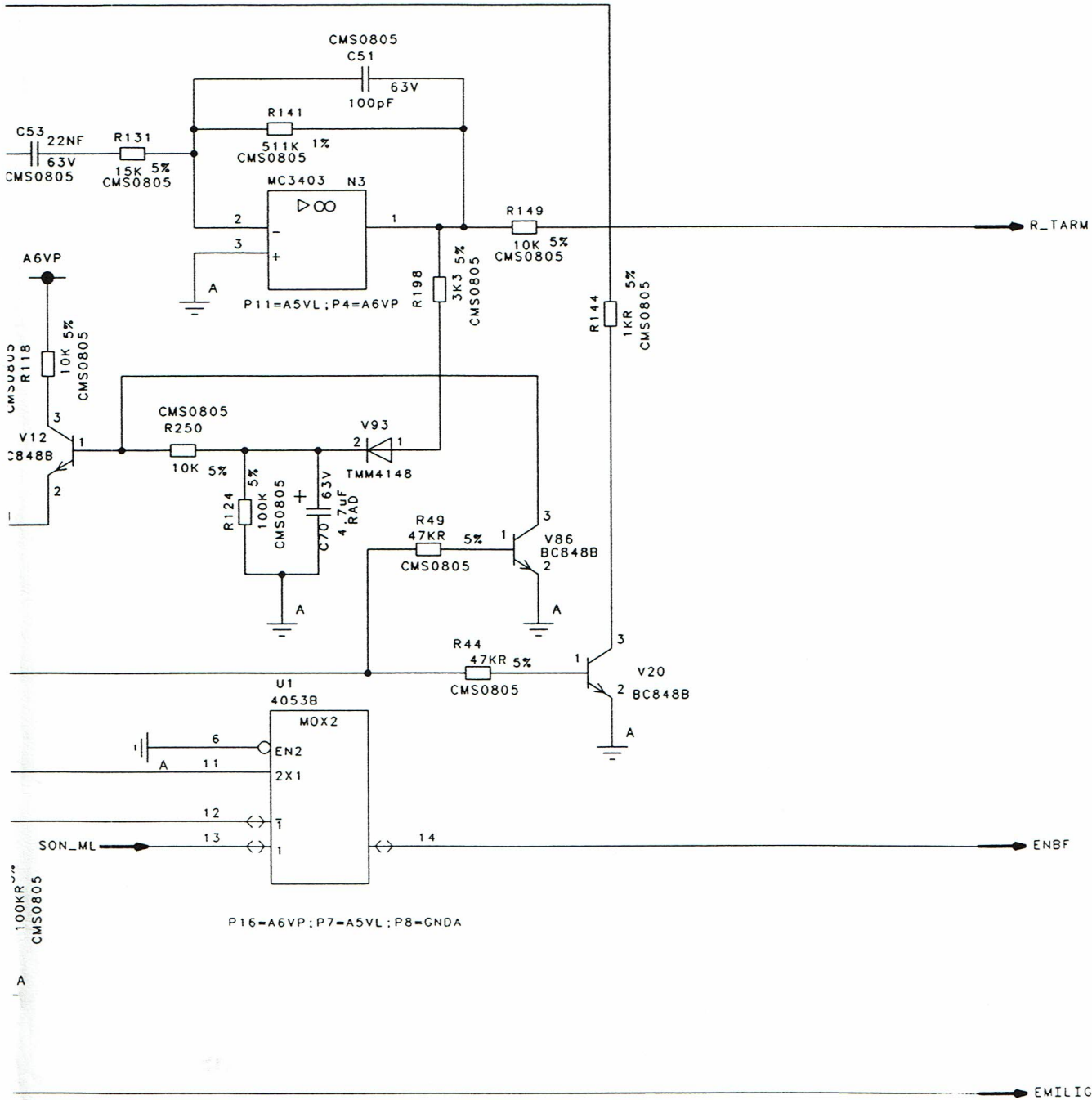


ED	DATE	01	3/5/95			
CHANGE NOTE	3BN N AS 001188					
APPRO. AUTHO.	P. BITSCH					
ORIGINATOR	F. ANGOT					
ALCATEL BUSINESS SYSTEMS	CARTE FOND DE POSTE			MAINS LIBRES		
SILLAGE 2000		3BN 63066 AAAD EC//A		7/11		

copying of this document, use and communication of its contents not permitted without written authorization.

ALC

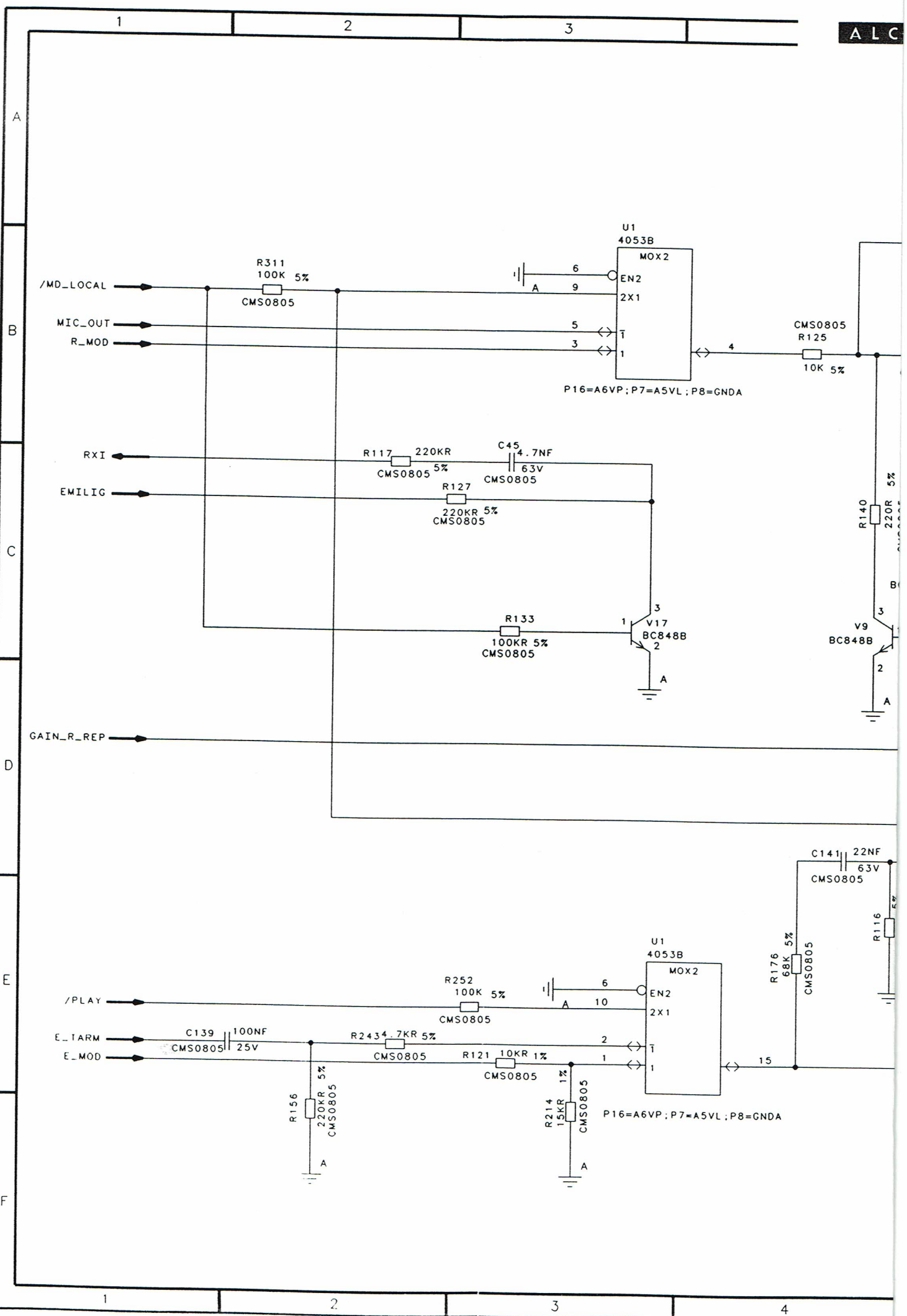




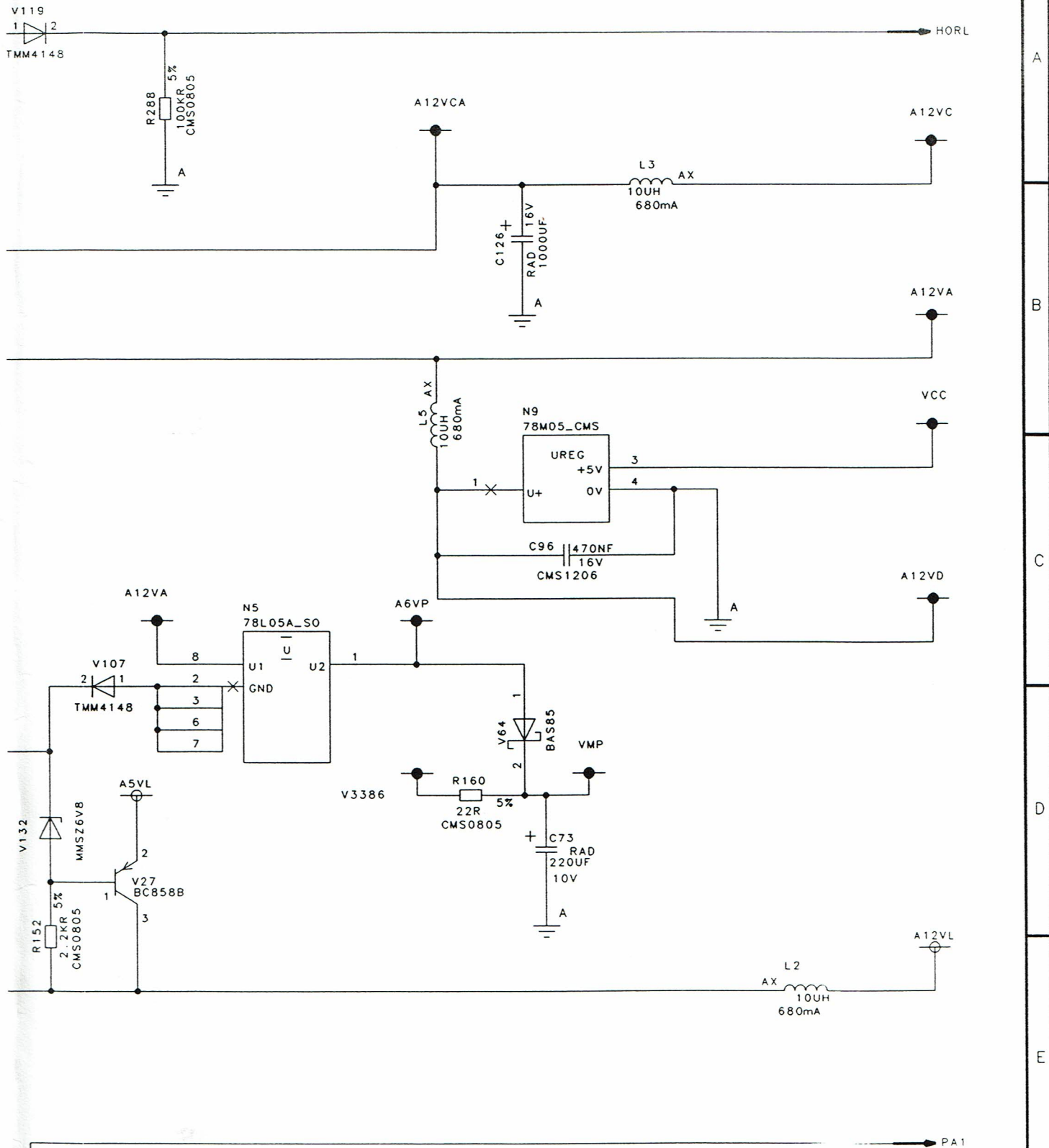
ED	DATE	01	3/5/95			
CHANGE NOTE	3BN N AS 001188					
APPRO. AUTHO.	P. BITSCH					
ORIGINATOR	F. ANGOT					
ALCATEL BUSINESS SYSTEMS	CARTE FOND DE POSTE				COMMUTATION ET CAG	
SILLAGE 2000			3BN 63066 AAD EC//A			9/11



ommunication of its contents not per-  
mitted without written authorization.

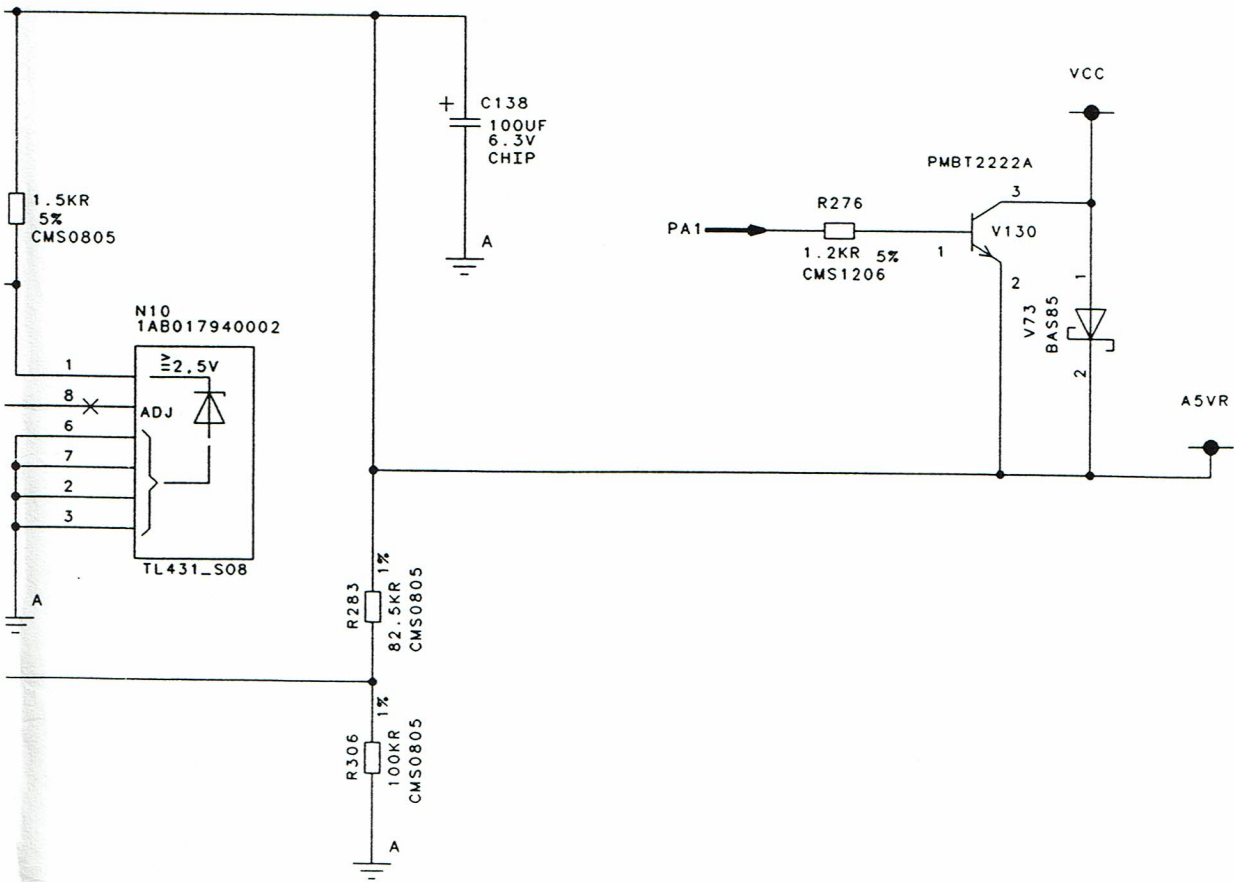


1AA 00014 0008 (9007) A3



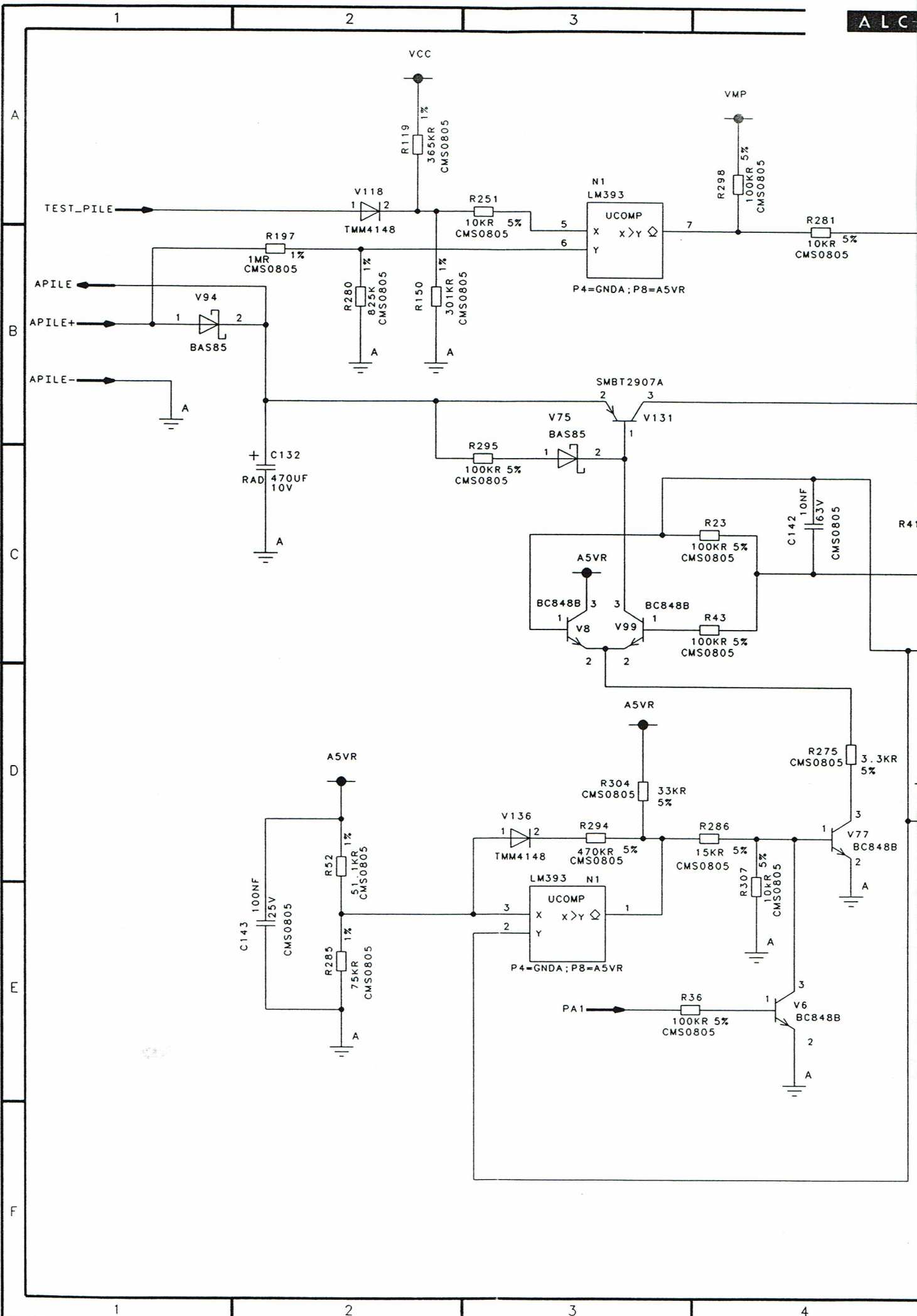
ED	DATE	01	3/5/95			
CHANGE NOTE	3BN N AS 001188					
APPR. AUTHO.	P. BITSCH					
ORIGINATOR	F. ANGOT					
ALCATEL BUSINESS SYSTEMS	CARTE FOND DE POSTE				ALIMENTATION	
SILLAGE 2000			3BN 63066 AAAD EC//A			10/11

PILE\_U

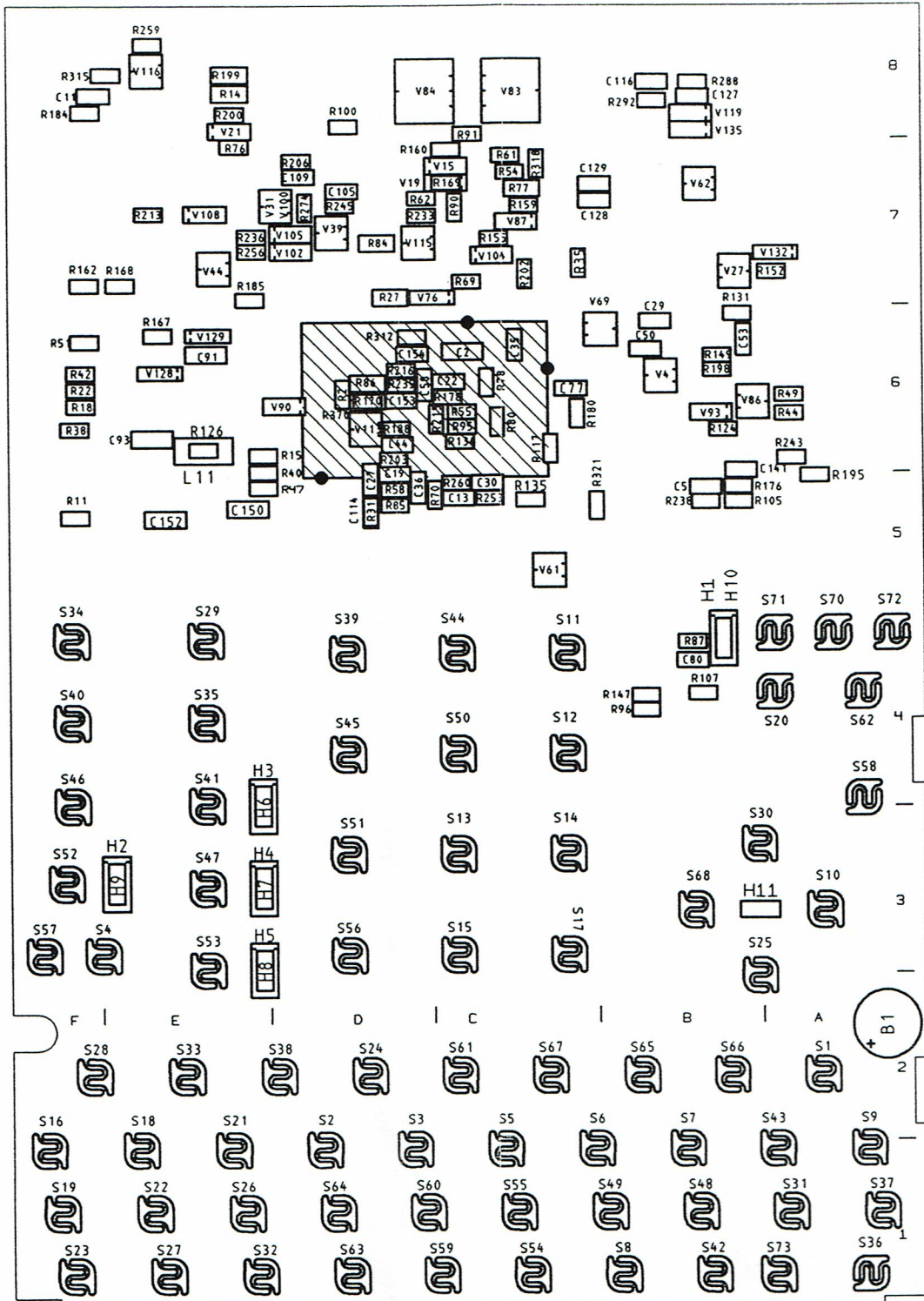


ED	DATE	01	3/5/95			
CHANGE NOTE	3BN N AS 001188					
APPRA. AUTHO.	P. BITSCH					
ORIGINATOR	F. ANGOT					
ALCATEL BUSINESS SYSTEMS	CARTE FOND DE POSTE			ALIMENTATION DE SAUVEGARDE		
SILLAGE 2000		3BN 63066 AAAD EC77A			11/11	

copying of this document, use and communication of its contents not permitted without written authorization.

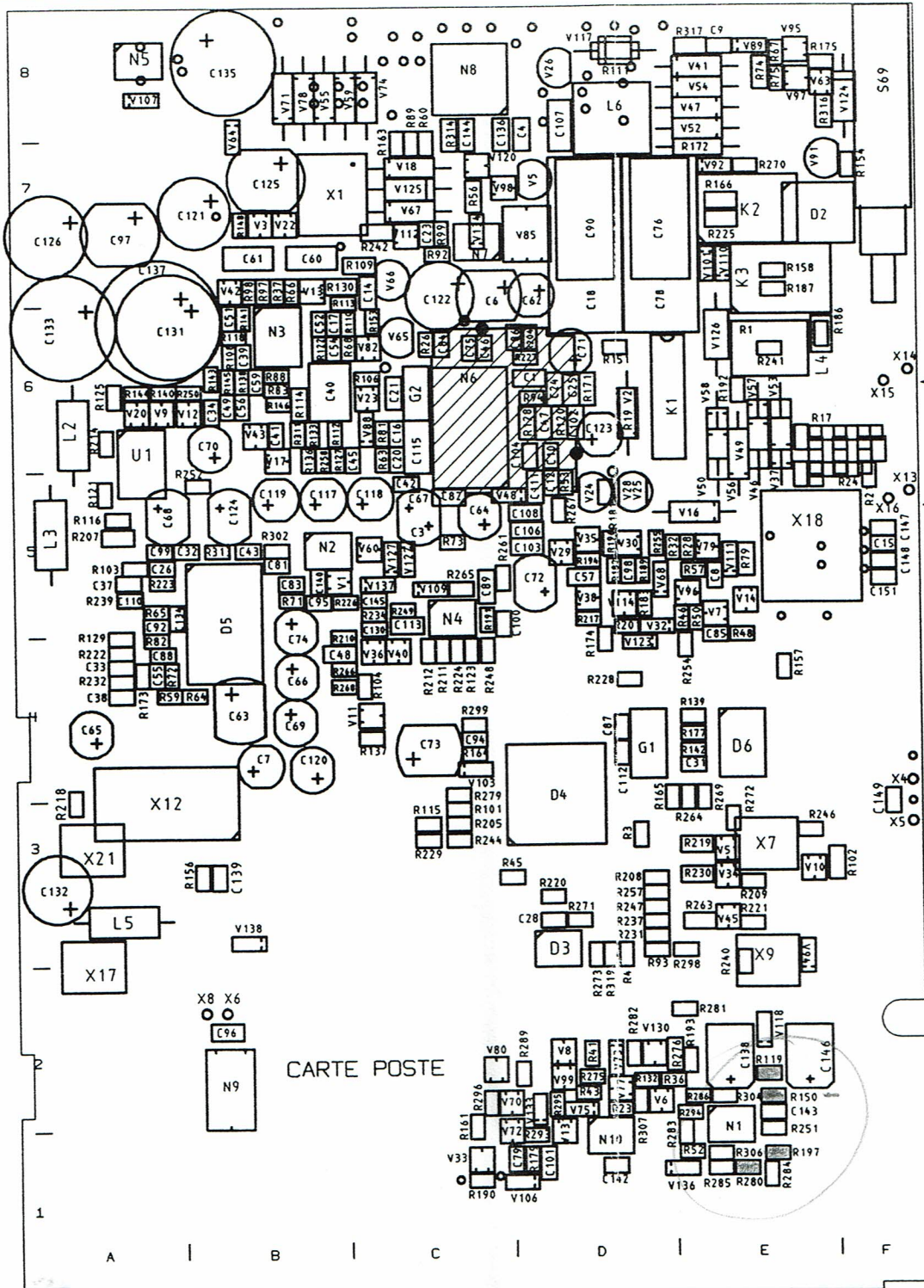



# ASSEMBLY DRAWING VIEW SOLDER SIDE



ED	DATE	01	15-03-95
CHANGE NOTE			
APPRO. AUTHO.		F. RUBACH	
ORIGINATOR		JL. WAGNER	
<b>ALCATEL</b>		<i>SILLAGE 1000/1000</i>	
BUSINESS SYSTEMS			

# ASSEMBLY DRAWING VIEW COMPONENT SIDE



ED	DATE	01	15-03-95
CHANGE NOTE			
APPRO. AUTHO.		F. RUBACH	
ORIGINATOR		JL. WAGNER	
 BUSINESS SYSTEMS		SILLAGE FOND POST 1000/2000	